



ENGLISH	INSTALLATION AND USER'S MANUAL
SPANISH	INSTALACIÓN Y MANUAL DEL USUARIO
FRENCH	NOTICE D'INSTALLATION ET D'UTILISATION
PORTOGUESE	MANUAL DE INSTALAÇÃO E UTILIZAÇÃO
GREEK	ΟΔΗΓΙΕΣ ΧΡΗΣΕΩΣ



# INSTALLATION AND USER'S MANUAL

## **CONTENT**

INTRODUCTION	2
SAFETY PRECAUTION	2
SPECIFICATION	4
INSTALLATION (VENT OUTSIDE)	5
INSTALLATION (VENT INSIDE)	10
DESCRIPTION OF COMPONENTS	11
OPERATION	11
MAINTENANCE	14
TROUBLESHOOTING	15
CONFORMITY WITH DIRECTIVES	15
ENVIRONMENTAL PROTECTION	16

## **INTRODUCTION**

### **Thank you for choosing this cooker hood.**

This instruction manual is designed to provide you with all required instructions related to the installation, use and maintenance of the appliance. In order to operate the unit correctly and safety, please read this instruction manual carefully before installation and usage.

The cooker hood uses high quality materials, and is made with a streamlined design. Equipped with large power electric motor and centrifugal fan, it also provides strong suction power, low noise operation, non-stick grease filter and easy assembly installation.

## **SAFETY PRECAUTION**

Never let the children operate the machine.

The cooker hood is for home use only, not suitable for barbecue, roast shop and other commercial purpose.

The cooker hood and its filter should be clean regularly in order to keep in good working condition.

Clean the cooker hood according to the instruction manual and keep the unit from danger of burning.

Forbid the direct baking from the gas cooker.

Please keep the kitchen room a good convection.

Before connecting this appliance check that the power supply cord is not damaged. A damage supply cord must be replaced by qualified service personnel only.

There shall be adequate ventilation of the room when the range hood is used at the same time as appliances burning gas or other fuels;

the air must not be discharged into a flue that is used for exhausting fumes from appliances burning gas or other fuels;

Regulations concerning the discharge of air have to be fulfilled.

This appliance is not intended for use by persons (including children) with reduced physical, sensory or mental capabilities, or lack of experience and knowledge, unless they have been given supervision or instruction concerning use of the appliance by a person skilled for their safety.

Children should be supervised to ensure that they do not play with the appliance.

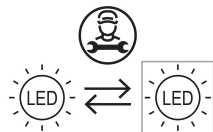
Do not flambé under the range hood.

**CAUTION:** Accessible parts may become hot when used with cooking appliance

## Electrical Shock Hazard

Only plug this unit into a properly earthed outlet. If in doubt seek advice from a suitably qualified engineer.

Failure to follow these instructions can result in death, fire, or electrical shock.



The lamp used in this product is not suitable for use in the lighting of a room.

The purpose of this lamp is to provide illumination for using the product.

## Electrical Installation

All installation must be carried out by a competent person or qualified electrician. Before connecting the mains supply ensure that the mains voltage corresponds to the voltage on the rating plate.

### Direct Connection

The appliance must be connected directly to the mains using an omnipolar circuit breaker with a minimum opening of 3mm between the contacts.

The installer must ensure that the correct electrical connection has been made and that it complies with the wiring diagram.

The cable must not be bent or compressed.


Regularly check the power plug and power cord for damage. If the supply cord is damaged, it must be replaced by a special cord or assembly available from the manufacturer or its service agent.

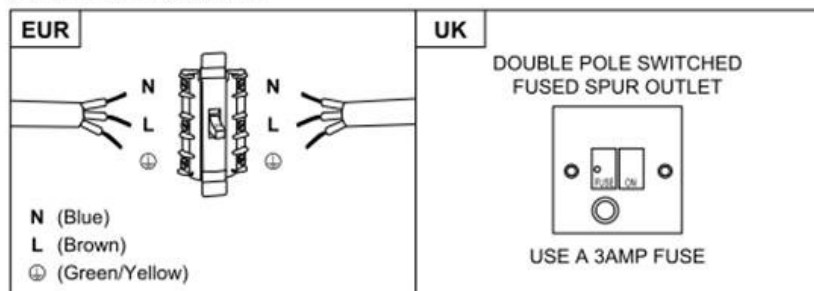
### **WARNING: This is a Class I appliance and MUST be earthed**

This appliance is supplied with a 3 core mains cable coloured as follows:

Brown = L or Live

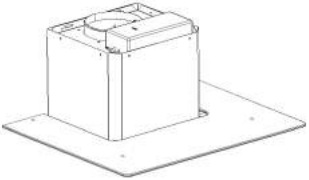

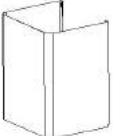


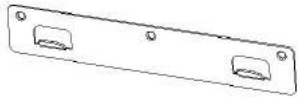



Blue = N or Neutral

Green and Yellow = E or Earth 



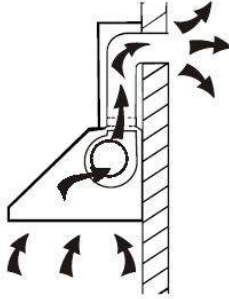
The fuse must be rated at 3 Amps.

## Standard Installation Accessories List

Spec.	Illustration Picture	Qty
Casing		1
Upper Chimney		1
Lower Chimney		1
Lower chimney bracket		1
Upper chimney bracket		1
Hanging Board		1
$\phi 8$ rawl plugs $\phi 8 \times \phi 6$ white color		9
Screws ST4.0×30		9
$\phi 7.2$ screws ST4.0×8		2

## **INSTALLATION (wall mounting)**

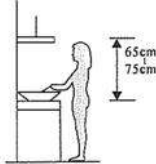
If you have an outlet to the outside, your cooker hood can be connected as below picture by means of an extraction duct (enamel, aluminum, flexible pipe or inflammable material with an interior diameter of 150mm)



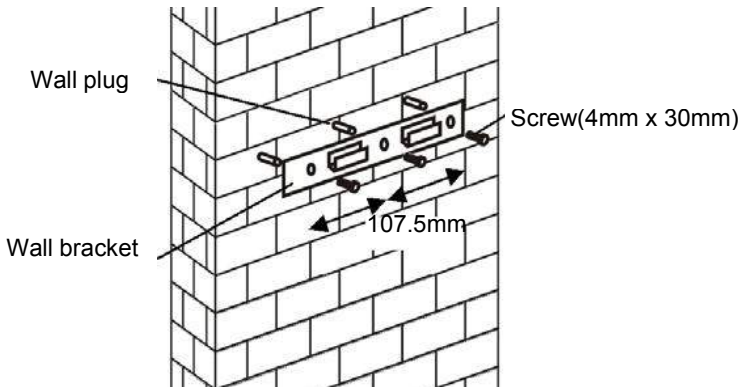
1. Before installation, turn the unit off and unplug it from the outlet.



2. The cooker hood should be placed at a distance of 65~75cm above the cooking plane for best effect.

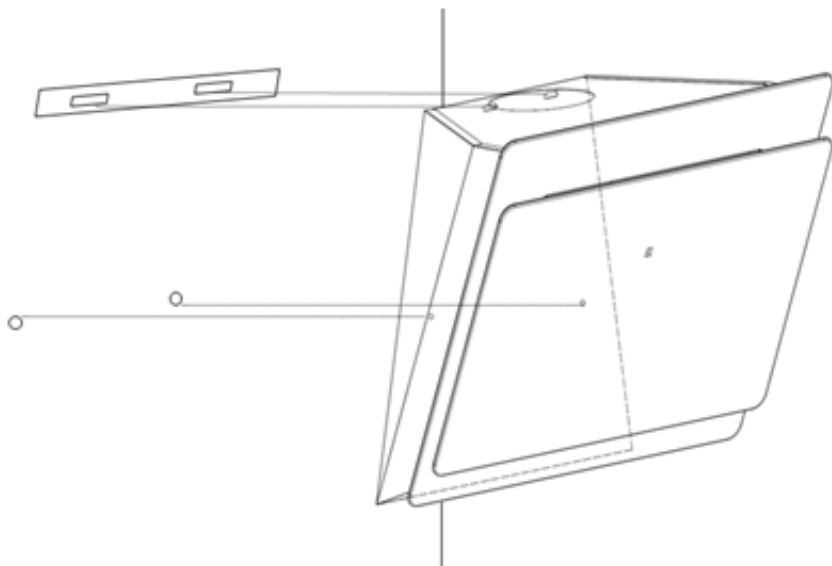


3. Drill 3 x 8mm holes to accommodate the bracket. Screw and tighten the bracket onto the wall with the screws provided.



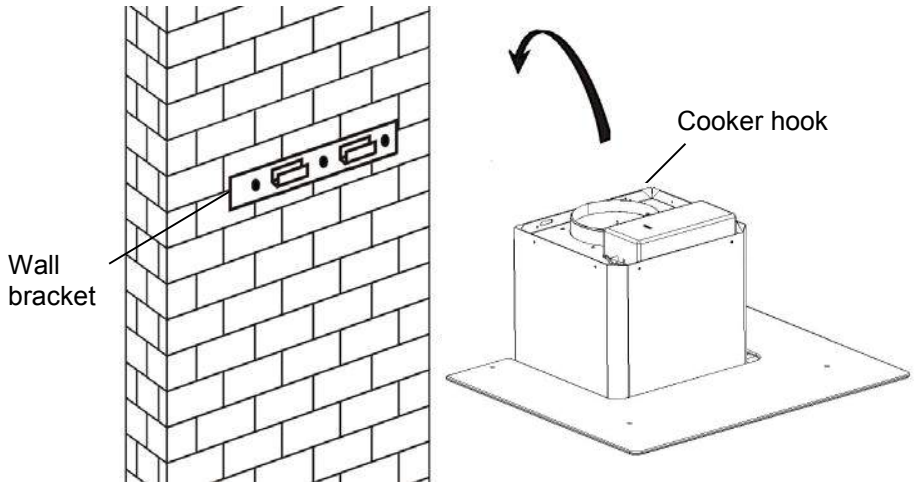
## For inclined panel Model

- eed to drill 2x8mm extra holes & fixing screws & screw plugs before installation. Voor schuine modellen

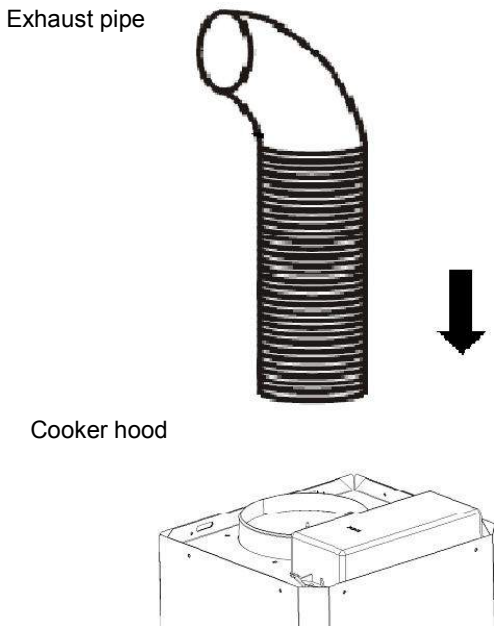




4. Leave up the cooker hood and hang onto the wall bracket hook.

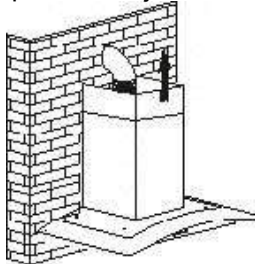


5. Fix the one-way-valve to the air outlet of the cooker hood. Then, attached the exhaust pipe onto the one-way-valve as shown below.

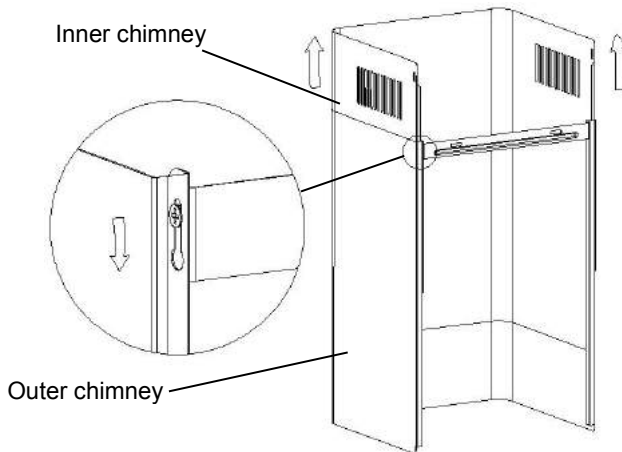


6.

- i. Place the glass in appropriate position on the top the cooker hood.
  - ii. Fix with 4 screws and washer. In order to avoid the glass cracking, please do not tighten the screws too strongly.
- i. By Put the inner chimney into outer chimney .Then pulling out the inner chimney upwards. Adjust to reach the height required.

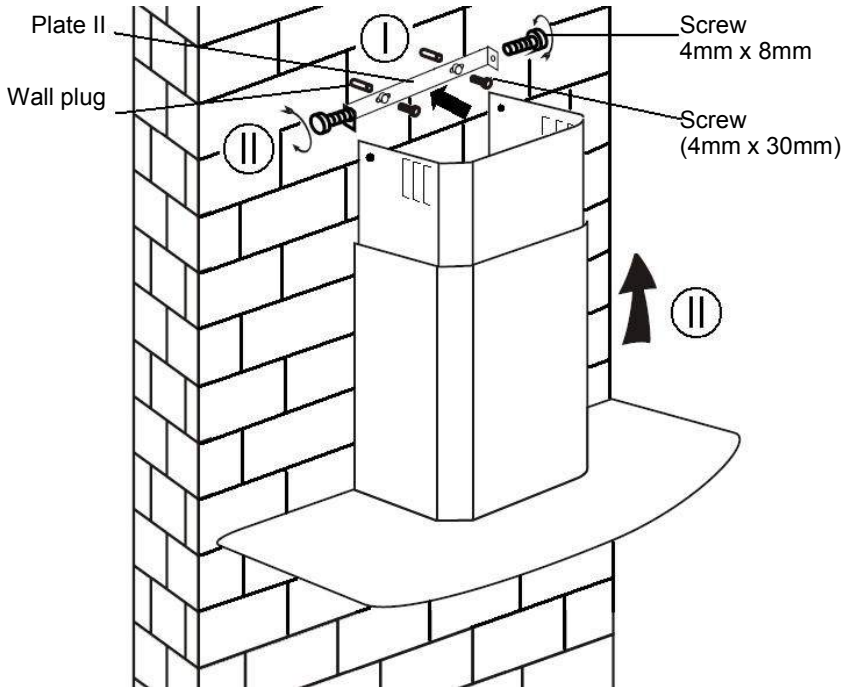


- ii. Sliding the chimney to adjust the chimney height. When the height you required is reached, then hang the fixing hole to the fixing screws as showed in below pictures.



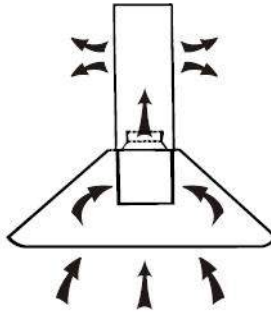
8.

- i. Drill 2 x 8mm holes to accommodate the plate II. Screw and tighten the plate II onto the wall with 2 screws provided.
- ii. Assemble the chimney onto the unit and fix it with 2 screws.

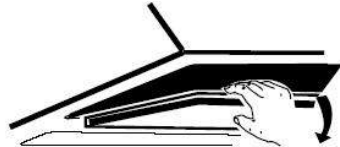
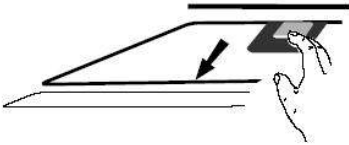


## **INSTALLATION (VENT INSIDE)**

If you do not have an outlet to the outside, exhaust pipe is not required and the installation is similar to the one show in section “INSTALLATION (VENT OUTSIDE)”.



Activated carbon filter can be used to trap odors. In order to install the activated carbon filter, the grease filter should be detached first. Press the lock and pull it downward.



Plug the activated carbon filter into the unit and turn it in clockwise direction. Repeat the same on the other side.



### **NOTE:**

- o *Make sure the filter is securely locked. Otherwise, it would loosen and cause dangerous.*
- o *When activated carbon filter attached, the suction power will be lowere*

# DESCRIPTION OF COMPONENTS

## CONFIGURATION 1



### OPERATION

#### **Button 1**

The button is with indicate backlit, when you press the button,the backlit will be turned on and the fan will be turned on at low speed. when press again, it will turn off the fan.

It's used for Ventilation on the kitchen. It is suitable for simmering and cooking which do not make much steam.

#### **Button 2**

The button is with indicate backlit, when you press the button,the backlit will be turned on and the fan will be turned on at Medium Speed. when press again, it will turn off the fan.

Airflow speed is ideally for ventilation in standard cooking operation.

#### **Button 3**

The button is with indicate backlit, when you press the button,the backlit will be turned on and the fan will be turned on at High Speed. when press again,. it will turn off the fan.

When high density of smoke or steam produced, press high-speed button for highest effective ventilation.

*NOTE: If Low / Medium / High speed buttons are press at the same time, the unit will only operate at the highest speed.*

#### **Light button**

## CONFIGURATION 2



### OPERATION

#### **Off button 0**

It's used for turning off the fan.

#### **Low Speed button 1**

It's used for Ventilation on the kitchen. It is suitable for simmering and cooking which do not make much steam.

#### **Medium Speed button 2**

Airflow speed is ideally for ventilation in standard cooking operation.

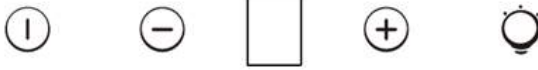
#### **High Speed button 3**

When high density of smoke or steam produced, press high-speed button for highest effective ventilation.

*NOTE: If Low / Medium / High speed buttons are press at the same time, the unit will only operate at the highest speed.*

#### **Light button**

## CONFIGURATION 3



### **On/Off button**

It's used for turning on/off the fan.

### **Speed plus button**

For increasing the speed of the fan



### **Speed decrease button**

For decreasing the speed of the fan.


### **Light button**

### **Digital display**

Fan speed display: "1" for Low speed, "2" for Medium speed, "3" for High speed, "4" for Booster function.

**Quick timer:** Press  &  hold for 1 second, Digital display will flashing & into 5 minutes count down, after 5 minutes motor & light will turn off automatic & Buzzer sound for 1 second.

### **Booster function**

This hood has a booster function. To activate the booster, Press  to speed 4, enter into highest speed while the hood is in use and it will increase speed for 5 minutes, before slowing down again.

## **MAINTENANCE**

Before cleaning switch the unit off and pull out the plug.

### **I. Regular Cleaning**

Use a soft cloth moistened with hand-warm mildly soapy water or household cleaning detergent. Never use metal pads, chemical, abrasive material or stiff brush to clean the unit.

### **II. Monthly Cleaning for Grease Filter**

*ESSENTIAL: Clean the filter every month can prevent any risk of fire.*

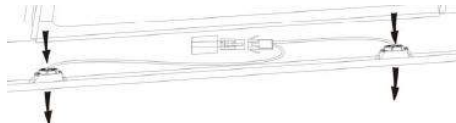
The filter collects grease, smoke and dust..... so the filter is directly affecting the efficiency of the cooker hood. If not cleaned, the grease residue (potential flammable) will saturate on the filter. Clean it with household cleaning detergent.

### **III. Annual Cleaning for Activated Carbon Filter**

Apply SOLELY to unit that installed as a recirculation unit (not vented to the outside). This filter traps odors and must be replaced at least once a year depending on how frequent the cooker hood used.

### **IV. Changing a light bulb**

Remove the screws on the glass, take off the hood glass. Find the bulb that requires replacement, you will find it located in the light fixture which is inside the exposed section of the canopy.



Disconnect the light wiring point and remove the bulb holders and wiring from the hood. Important: It's not possible to replace the bulbs individually, it will be necessary to obtain the bulbs, bulb holders and wiring as a complete part. (LED light: MAX 1.5W)

Fit the replacement bulbs, bulb holders and wiring in the same manners as the originals. Then reconnect the light wiring point.



Refit the hood glass and fasten the glass screws. Make sure the screws are fully tightened.

## **TROUBLESHOOTING**

<b>Fault</b>	<b>Cause</b>	<b>Solution</b>
Light on, but fan does not work	The fan blade is jammed.	Switch off the unit and repair by qualified service personnel only.
	The motor is damaged.	
Both light and fan do not work	Halogen light bulb burn.	Replace the bulb with correct rating.
	Power cord looses.	Plug in to the power supply again.
Serious Vibration of the unit	The fan blade is damaged.	Switch of the unit and repair by qualified service personnel only.
	The fan motor is not fixed tightly.	Switch off the unit and repair by qualified service personnel only.
	The unit is not hung properly on the bracket.	Take down the unit and check whether the bracket is in proper location.
Suction performance not good	Too long distance between the unit and the cooking plane	Readjust the distance to 65-75cm

## **CUSTOMER ASSISTANCE SERVICE**

If you cannot identify the cause of the operating anomaly, switch off the appliance and contact the Assistance Service.

PRODUCT SERIAL NUMBER. Where can I find it?

It is important you to inform the Assistance Service of your product code and its serial number (a 16 character code which begins with the number 3); this can be found on the guarantee certificate or on the data plate located on the appliance.

It will help to avoid wasted journeys to technicians, thereby (and most significantly) saving the corresponding callout charges.

## **ENVIRONMENTAL PROTECTION**

Waste electrical products should not be disposed of with household waste. Please recycle where facilities exist. Check with your Local Authority or retailer for recycling advice.



This appliance is marked according to the European directive 2012/19/EU on Waste Electrical and Electronic Equipment (WEEE).

By ensuring this product is disposed of correctly, you will help prevent potential negative consequences for the environment and human health, which could otherwise be caused by inappropriate waste handling of this product.

The symbol on the product indicates that this product may not be treated as household waste. Instead it shall be handed over to the applicable collection point for the recycling of electrical and electronic equipment. Disposal must be carried out in accordance with local environmental regulations for waste disposal.

For more detailed information about treatment, recovery and recycling of this product, please contact your local city office, your household waste disposal service or the shop where you purchased the product.

# INSTALACIÓN Y MANUAL DEL USUARIO

## **CONTENIDO**

INTRODUCCIÓN	18
MEDIDAS DE SEGURIDAD	18
ESPECIFICACIONES	21
INSTALACIÓN (VENT EXTERIOR)	22
INSTALACIÓN (VENT INTERIOR)	27
DESCRIPCIÓN DE LOS COMPONENTES	28
FUNCIONAMIENTO	28
MANTENIMIENTO	31
RESOLUCIÓN DE PROBLEMAS	32
CUMPLIMIENTO DE DIRECTIVAS	32
PROTECCIÓN MEDIOAMBIENTAL	33

## **INTRODUCCIÓN**

### **Gracias por elegir este extractor.**

Con este manual de instrucciones se pretenden proporcionar todas las instrucciones relacionadas con la instalación, el uso y el mantenimiento del extractor.

Para que su funcionamiento sea correcto y seguro, ha de leerse el manual antes de su instalación y utilización.

Los materiales utilizados son de primera calidad y su diseño aerodinámico. Dispone de un motor eléctrico de gran potencia y un ventilador de centrifugado, además de presentar una gran potencia de absorción, escaso ruido en funcionamiento, filtro antigrasa y montaje sencillo.

## **MEDIDAS DE SEGURIDAD**

Los niños no pueden poner en funcionamiento el extractor.

El extractor es para uso exclusivamente doméstico, por lo que no está indicado para barbacoas, tiendas de alimentación u otros usos comerciales.

Para un buen funcionamiento es fundamental limpiar con regularidad no sólo la campana extractora, sino también el filtro.

Limpiar la campana -siguiendo las indicaciones del manual de instrucciones- con el fin de evitar el riesgo de combustión.

Está prohibido cocinar directamente sobre cocinas de gas.

Asegurar una correcta ventilación de la cocina.

Antes de conectar la campana, comprobar que el cable eléctrico no está dañado. Si el cable está dañado sólo puede sustituirlo personal cualificado del servicio técnico.

Cuando se utilice la campana extractora junto con otros dispositivos de combustión de gas u otros, ha de asegurarse una adecuada ventilación de la cocina;

El aire extraído no ha de desviarse a la salida de humos que se utilice para el humo de dispositivos de combustión de gas u otros;

Han de cumplirse las regulaciones relacionadas con la extracción del aire.

La campana no está pensada para que la utilicen personas -incluidos niños- con deficiencias físicas, sensoriales o intelectuales, que carezcan de experiencia o desconozcan su funcionamiento, salvo que tengan supervisión o reciban instrucciones relativas al funcionamiento

por parte de la persona responsable de su seguridad.

Los niños no pueden jugar con el extractor.

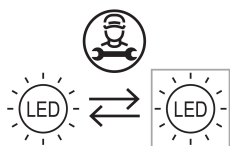
No flambear debajo de la campana.

Esta campana extractora no está diseñada para su utilización en cocinas de más de cuatro fogones.

### **Peligro de cortocircuito**

Conectar la campana sólo a enchufes con toma de tierra. En caso de duda, pregunte a un especialista cualificado.

En caso de no seguir estas instrucciones se puede incurrir en fuego, cortocircuito o, incluso, defunción.



La lámpara utilizada en este producto no es adecuada para su uso en la iluminación de una habitación. El propósito de esta lámpara es proporcionar iluminación para usar el producto.

## Instalacion electrica

Toda la instalación debe ser realizada por una persona competente o calificada.

electricista. Antes de conectar la red eléctrica, asegúrese de que la red eléctrica el voltaje corresponde al voltaje en la placa de características.

### Conexión directa

El aparato debe conectarse directamente a la red eléctrica mediante un disyuntor omnipolar con una apertura mínima de 3 mm entre Los contactos.

El instalador debe asegurarse de que la conexión eléctrica correcta tenga hecho y que cumple con el diagrama de cableado.

El cable no debe doblarse ni comprimirse.

Compruebe regularmente el enchufe y el cable de alimentación en busca de daños.


Si el cable de alimentación está dañado, debe ser reemplazado por un cable especial o montaje disponible del fabricante o su agente de servicio.

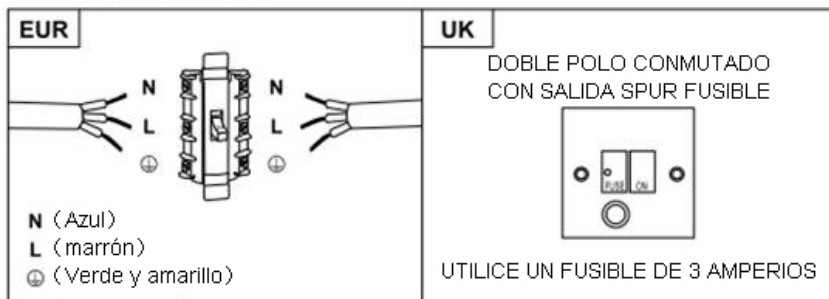
### ADVERTENCIA: Este es un aparato de Clase I y DEBE estar conectado a tierra.

Este aparato se suministra con un cable de alimentación de 3 núcleos coloreado como sigue:

marrón = L o Vivir

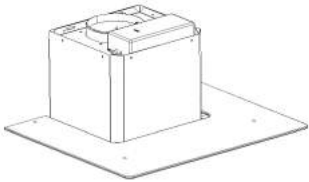

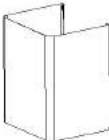


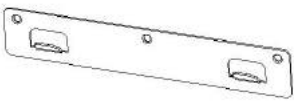



Azul = N o Neutral

Verde y amarillo = E o Tierra 



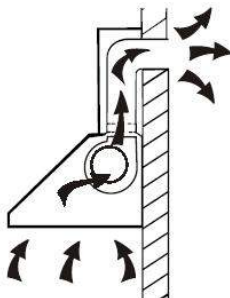
El fusible debe ser de 3 amperios.

## Lista de Accesorios Estándar de Instalación

Especificación	Imagen	Cantidad
Carcasa		1
Parte superior de la chimenea		1
Parte inferior de la chimenea		1
Grapa de la parte inferior de la chimenea		1
Grapa de la parte superior de la chimenea		1
Colgadero		1
$\varnothing 8$ tacos $\varnothing 8 \times \varnothing 6$ blanco		9
Tornillos ST4.0×30		9
$\varnothing 7$ tornillos ST4.0×8		2

## **INSTALACIÓN (en la pared)**

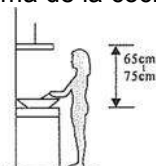
Si dispone de una salida exterior, el extractor puede colocarse como se muestra en la imagen inferior utilizando un conducto de extracción (tubería de esmalte, aluminio, flexible o para materiales inflamables con un diámetro interno de 150 mm)



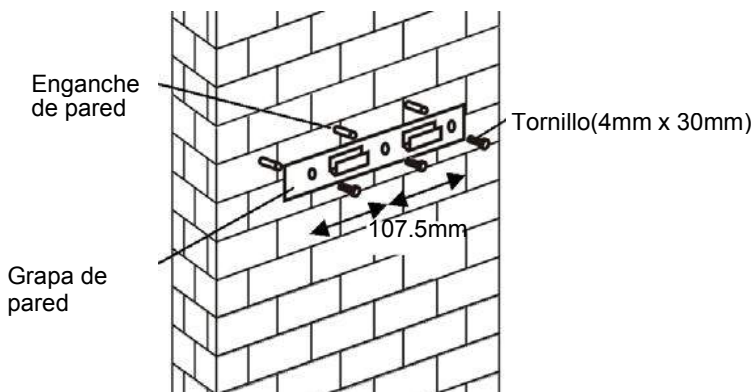
1. Antes de la instalación, apagar y desconectar la campana.



2. Para un correcto funcionamiento, el extractor ha de colocarse a una distancia de 65~75cm encima de la cocina.



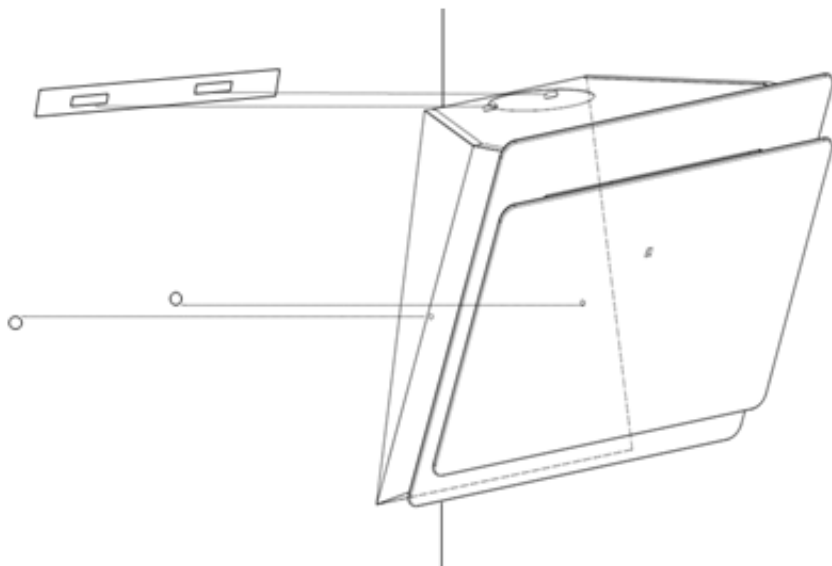
3. Hacer 3 agujeros de 8 mm para colocar las grapas. Atornillar y apretar la grapa a la pared con los tornillos proporcionados.



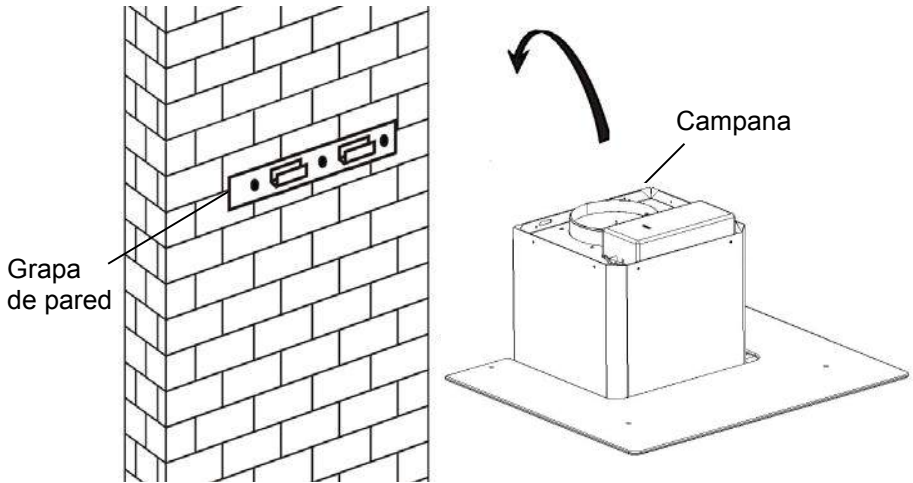


## PARA MODELO INCLINADO

- Se necesita taladrar 2x8mm extra entre agujeros y fijar tornillos y tornillos de cierre antes de la instalación.



4. Levantar la campana y colgarla en la grapa de la campana.



5. Fijar la válvula de vía única a la salida del conducto del aire de la campana. A continuación, colocar la tubería de extracción a la válvula de vía única como se muestra a continuación.

Tubería de extracción

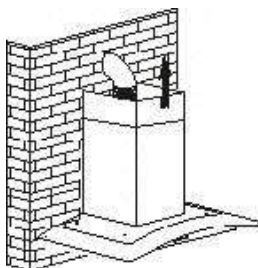


Campana

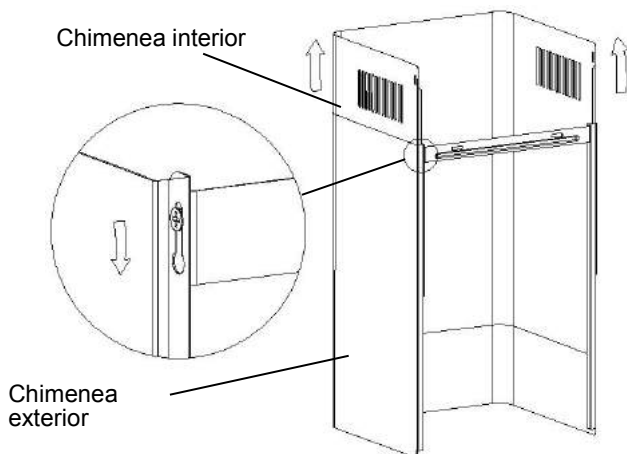


6.

- i. Colocar el cristal en la posición adecuada en la parte superior de la campana.
  - ii. Colocar los cuatro tornillos y limpiar. Para evitar que se rompa el cristal, no apretar los tornillos demasiado.
- i. Colocar la parte interior de la chimenea dentro de la exterior. Luego colocar la parte interna de la chimenea hacia arriba. Ajustar hasta llegar a la altura correspondiente.

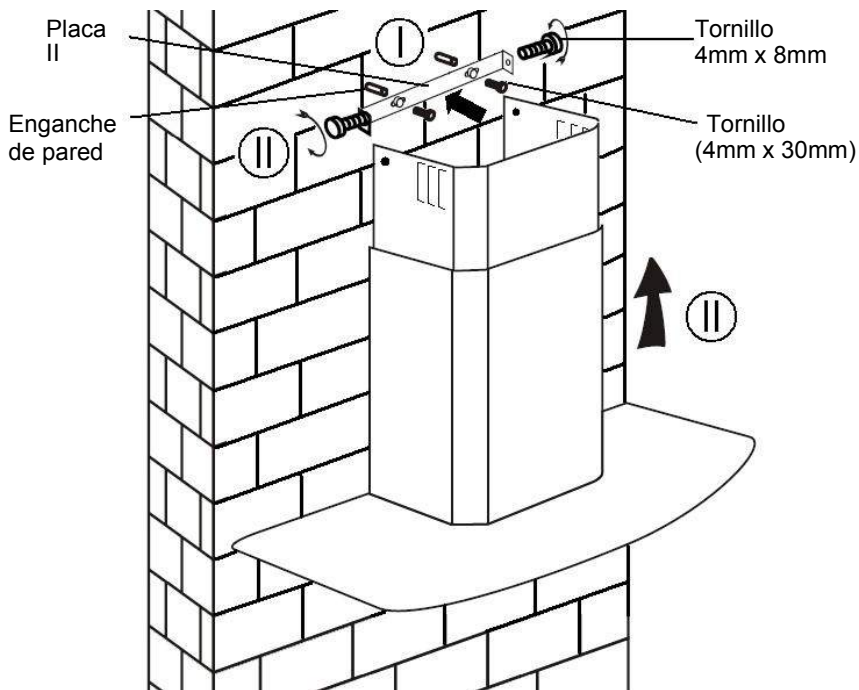


- ii. Deslizar la chimenea para ajustar su altura. Cuando se alcance la altura necesaria, colocar en los agujeros los tornillos de fijación como se muestra en las imágenes inferiores.



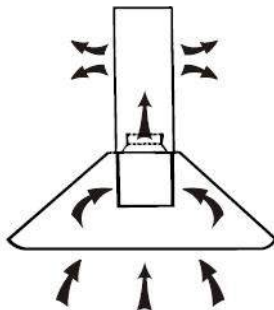
8.

- i. Hacer 2 agujeros de 8 mm para colocar la placa II. Atornillar y apretar la placa II en la pared con los 2 tornillos proporcionados.
- ii. Montar la chimenea en la campana y fijarla con 2 tornillos.

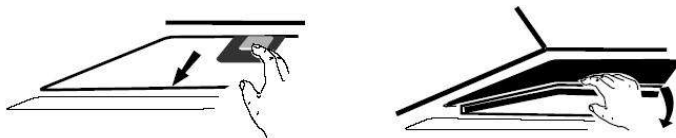


## **INSTALACIÓN (VENTILACIÓN INTERIOR)**

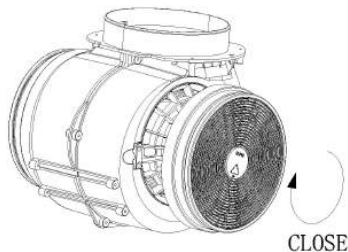
Si no dispone de salida al exterior no será necesaria una tubería de extracción. La instalación será similar a la mostrada en el apartado "INSTALACIÓN (VENTILACIÓN EXTERIOR)".



Para neutralizar los olores se pueden utilizar filtros de carbono activado. Para instalar un filtro de carbono activado, ha de desmontarse primero el filtro antigrasa. Presionar el cierre y tirar hacia abajo.



Conectar el filtro de carbono activado en la unidad y girar en el sentido de las agujas del reloj. Repetir en el otro lado.



### **NOTA:**

- o *Comprobar que el filtro tiene el cierre de seguridad. En caso contrario podría aflojarse y resultar peligroso.*
- o *Si se coloca el filtro del carbono activado, puede que la potencia de succión sea menor.*

## DESCRIPCIÓN DE LOS COMPONENTES

### CONFIGURACIÓN 1



### FUNCIONAMIENTO

#### **Botón 1**

El botón es con luz de fondo indicada, cuando presiona el botón, la luz de fondo se encenderá y el ventilador se encenderá a baja velocidad. cuando lo presione nuevamente, apagará el ventilador. Se utiliza para la ventilación de la cocina. Se recomienda cuando se utiliza la cocina para hervir o cocinar sin mucho humo.

#### **Botón 2**

El botón es con luz de fondo indicada, cuando presiona el botón, la luz de fondo se encenderá y el ventilador se encenderá a velocidad media. cuando lo presione nuevamente, apagará el ventilador. Velocidad de aire ideal para ventilación en condiciones de cocina estándares.

#### **Botón 3**

El botón es con luz de fondo indicada, cuando presiona el botón, la luz de fondo se encenderá y el ventilador se encenderá a alta velocidad. cuando lo presione nuevamente, apagará el ventilador. Cuando hay concentración de humo o vapor, pulsar el botón de alta velocidad para una ventilación de mayor eficacia.

*NOTA: Si están pulsados los botones de velocidad Baja/ Media / Alta al mismo tiempo, la campana funcionará a máxima velocidad.*

#### **Botón luz**

## CONFIGURACIÓN 2



### FUNCIONAMIENTO

#### **Botón de apagado 0**

Se utiliza para apagar el ventilador.

#### **Botón Baja Velocidad** **1**

Se utiliza para la ventilación de la cocina. Se recomienda cuando se utiliza la cocina para hervir o cocinar sin mucho humo.

#### **Botón Velocidad Media** **2**

Velocidad de aire ideal para ventilación en condiciones de cocina estándares.

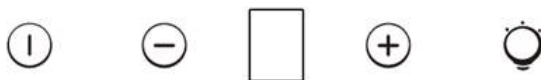
#### **Botón Alta Velocidad** **3**









Cuando hay concentración de humo o vapor, pulsar el botón de alta velocidad para una ventilación de mayor eficacia.

*NOTA: Si están pulsados los botones de velocidad Baja/ Media / Alta al mismo tiempo, la campana funcionará a máxima velocidad.*

#### **Botón luz**

## CONFIGURACIÓN 3



-  **Botón de encendido / apagado**  
Se utiliza para encender / apagar el ventilador.
  -  **Velocidad más una tecla**  
Para aumentar la velocidad del ventilador
  -  **Botón de disminución de la velocidad**  
Para la disminución de la velocidad del ventilador.
  -  **Botón de la luz**
  -  **Pantalla digital**  
Ventilador de visualización de la velocidad: "1" para la velocidad baja, "2" para la velocidad media, "3" para la alta velocidad, "4" para la función Booster.
- Temporizador rápida:** Pulse  y  durante 1 segundo, pantalla digital de parpadear y en 5 minutos de cuenta atrás, después de 5 minutos de motor y la luz se apagará automática del sonido y del zumbador durante 1 segundo.
- Función Booster**  
Esta campana dispone de una función Booster. Para activar el booster, pulsar  hasta la velocidad 4, pulsar la velocidad máxima mientras la campana está funcionando y aumentará la velocidad durante 5 minutos, antes de volver a la velocidad inicial.



## **MANTENIMIENTO**

Antes de limpiar, desconectar y desenchufar la campana extractora.

### **I. Limpieza regular**

Utilizar un paño humedecido con jabón suave o detergente. No utilizar estropajo metálico, materiales químicos, abrasivos ni cepillos duros.

### **II. Limpieza mensual del filtro de grasa**

*PRIMORDIAL: Limpiar el filtro todos los meses evitará todo riesgo de fuego.*

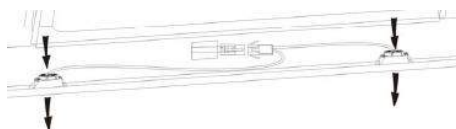
El filtro recoge la grasa, el humo, la suciedad... así que el filtro afecta directamente a la eficacia de la campana. Si no está limpia, los residuos de grasa (potencialmente inflamable) saturarán el filtro. Limpiar con lavavajillas.

### **III. Limpieza anual del filtro de carbono activado**

Aplicable SOLAMENTE a la campana que se instale como campana de recirculación (no colocada en el exterior). Este filtro neutraliza los olores y ha de sustituirse al menos una vez al año, dependiendo de la frecuencia con la que se utilice la campana.

### **IV. Cambio de la bombilla**

Retirar los tornillos del cristal y extraer el cristal. Localizar la bombilla que ha de sustituirse, estará en la fijación de luz que hay dentro de la sección expuesta en el palio.



Desconectar el cable de luz y retirar la sujeción de las bombillas y el cable de la clavija. Importante: no es posible sustituir las bombillas de forma individual, habrá que sacar obligatoriamente todas las bombillas, la sujeción de las mismas y el cableado como un todo. (LED light: MAX 1.5W)

Colocar las bombillas sustituidas, la sujeción y el cable igual que estaba. Volver a conectar los puntos de luz.

Volver a colocar las sujeciones del cristal y apretar los tornillos del cristal.  
Asegurarse de que los tornillos están bien apretados.

## **RESOLUCIÓN DE PROBLEMAS**

<b>Fallo</b>	<b>Motivo</b>	<b>Solución</b>
La luz se enciende, pero el ventilador no funciona	El aspa del ventilador está atascada	Desenchufar la campana. Llamar al servicio técnico para su reparación
	El motor está dañado.	
No funciona ni el ventilador ni la bombilla	La bombilla está fundida.	Volver a colocar la bombilla con el voltaje adecuado.
	El cable está suelto.	Volver a conectarlo a la corriente.
Vibración de la campana	El aspa del ventilador está dañada.	Desenchufar la campana y reparación por parte del servicio técnico.
	El motor del ventilador no está bien colocado	Desenchufar la campana. Llamar al servicio técnico para su reparación.
	La unidad no está bien colocada en la grapa.	Descolgar la campana y comprobar que la grapa esté bien colocada.
Succión insuficiente	Demasiada distancia entre la campana y la cocina	Volver a ajustar la distancia a 65-75cm

## **SERVICIO DE ATENCIÓN AL CLIENTE**

Si no se puede identificar la causa de la anomalía, desenchufar la campana y llamar al Servicio Técnico.

**NÚMERO DE PRODUCTO DE SERIE. ¿Dónde está?**

Es importante comunicarle al Servicio Técnico el código de producto y su número de serie (un código de 16 caracteres que empieza por 3); este código aparece en el certificado de garantía o en la placa de datos que hay

en la campana. Ayudará a evitar desplazamientos baldíos a los técnicos y (lo más importante) se reducirán los correspondientes gastos de desplazamiento.

## **PROTECCIÓN MEDIOAMBIENTAL**

Los residuos de dispositivos eléctricos no pueden depositarse en los contenedores convencionales, sino en los puntos de reciclaje correspondientes. Si tiene dudas, consulte a la Autoridad Local correspondiente, o al vendedor.



Este electrodoméstico tiene el distintivo de la directiva europea 2012/19/EU de Residuos de Aparatos Eléctricos y Electrónicos (WEEE).

Asegurándose de que este producto se elimina correctamente ayudará a prevenir consecuencias negativas para el medio ambiente y la salud, daños que podrían darse si la eliminación del producto no fuese la adecuada.

El símbolo en el producto indica que este producto no puede tratarse como residuo doméstico. Debe depositarse en el punto de recogida correspondiente para el reciclaje de equipos eléctricos y electrónicos.

La eliminación ha de realizarse de acuerdo con la normativa medioambiental local de eliminación de residuos.

Para más información sobre el tratamiento, recuperación y reciclaje de este producto póngase en contacto con la oficina local de la ciudad, con su servicio de recogida de residuos domésticos o con la tienda donde haya adquirido el producto.

# NOTICE D'INSTALLATION ET D'UTILISATION

## **Sommaire**

INTRODUCTION	35
Conseils pour la sécurité	35
Cahier des charges	38
Installation (Evacuation)	39
Installation (Recyclage)	44
Description des composants	45
Fonctionnement	45
Entretien	48
Dépannage	49
Service après ventes	49
Protection de l'environnement	50

## **Introduction**

### **Merci d'avoir choisi cette hotte.**

Ce manuel d'instructions est conçu pour vous fournir toutes les instructions requises relatives à l'installation, l'utilisation et l'entretien de l'appareil. Afin de faire fonctionner l'appareil correctement et en toute sécurité, merci de lire attentivement ce manuel avant l'installation et l'utilisation.

La hotte utilise des matériaux de haute qualité avec un design épuré. Equipé d'un moteur électrique de grande puissance et d'un ventilateur centrifuge, il fournit également une puissance d'aspiration forte, un fonctionnement avec un bruit modéré, un filtre à graisse et un montage facile.

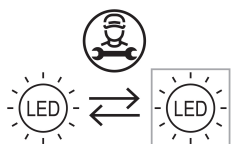
### **Avertissement de sécurité**

- Ne pas laisser d'enfants utiliser l'appareil
- Cette hotte est dédiée à un usage domestique uniquement. Elle ne doit pas être utilisée pour les barbecues, les rôtisseries ou toutes autres activités
- La hotte et ses filtres doivent être nettoyés régulièrement pour en garantir un bon état de fonctionnement
- Respecter les consignes de ce manuel pour le nettoyage de la hotte afin d'empêcher tout risque d'incendie
- Merci de garder une ventilation dans la cuisine
- Avant de connecter cet appareil, contrôlez que le cordon d'alimentation n'est pas endommagé. Un cordon d'alimentation endommagé doit être remplacé par une personne qualifiée.
- Il doit y avoir une ventilation adéquate de la pièce quand la hotte est utilisée en même temps que des appareils utilisant du gaz ou d'autres combustibles
- l'air ne doit pas être évacué par un conduit qui est utilisé pour évacuer les fumées des appareils utilisant le gaz ou d'autres combustibles

- La réglementation concernant le rejet de l'air doit être satisfaite
- Cet appareil n'est pas destiné à être utilisé par des personnes (notamment les enfants) incapables, irresponsables ou sans connaissance sur l'utilisation du produit, à moins qu'elle ne soit surveillées ou instruites sur l'utilisation de l'appareil par une personne responsable de leur sécurité
- Les enfants doivent être surveillés pour s'assurer qu'ils ne jouent pas avec l'appareil.
- Ne pas faire flamber sous la hotte
- La hotte n'est pas destinée à être installée au-dessus d'une plaque de cuisson ayant plus de quatre foyers de cuisson

#### Risque de choc électrique

- Cette hotte ne peut être branchée seulement sur une prise reliée à la terre. En cas de doute, demandez conseil à un ingénieur qualifié
- Le non-respect de ces instructions peut entraîner la mort, un incendie ou un choc électrique.



La lampe utilisée dans ce produit ne convient pas pour l'éclairage d'une pièce.

Le but de cette lampe est de fournir un éclairage pour l'utilisation du produit.

## Installation électrique

Toute installation doit être effectuée par une personne compétente ou qualifiée électricien. Avant de brancher l'alimentation secteur, assurez-vous que la tension correspond à la tension indiquée sur la plaque signalétique.

### Connexion directe

The appliance must be connected directly to the mains using an omnipolar circuit breaker with a minimum opening of 3mm between the contacts.

L'installateur doit s'assurer que le bon raccordement électrique a été fait et qu'il est conforme au schéma de câblage.

The cable must not be bent or compressed.

Vérifiez régulièrement le cordon d'alimentation et le cordon d'alimentation.


Si le cordon d'alimentation est endommagé, il doit être remplacé par un cordon spécial ou assemblage disponible auprès du fabricant ou de son agent de service.

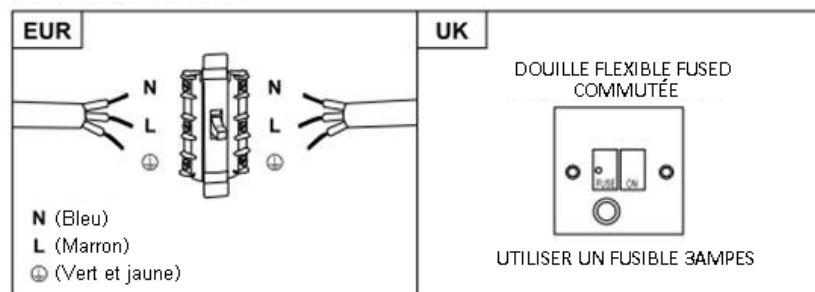
### ATTENTION: Ceci est un appareil de classe I et DOIT être mis à la terre

Cet appareil est fourni avec un câble secteur à 3 conducteurs coloré comme suit:

Marron=L ou Vivre

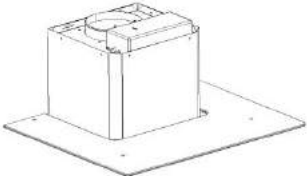

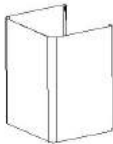


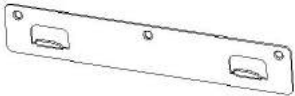



Bleu =N ou Neutre

Vert et jaune = E ou Terre 



**Le fusible doit être évalué à 3 ampères.**

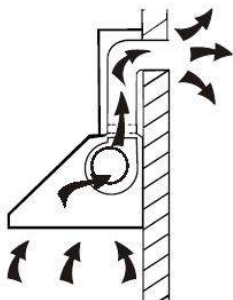
## Liste d'accessoires pour l'installation

Caractéristiques	Visuels	Qty
Base		1
Cheminée haute		1
Cheminée basse		1
Support de la cheminée basse		1
Support de la cheminée haute		1
Fixation murale		1
φ8 chevilles φ8×φ6 blanches		9
Vis ST4.0×30		9
φ7.2 Vis ST4.0×8		2



## Installation (évacuation externe)

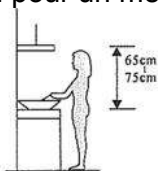
Si vous avez une évacuation vers l'extérieur, la hotte pourra être installée comme suit au moyen d'un conduit d'extraction (émail, aluminium, tuyau flexible et non inflammable avec un diamètre intérieur de 150mm).



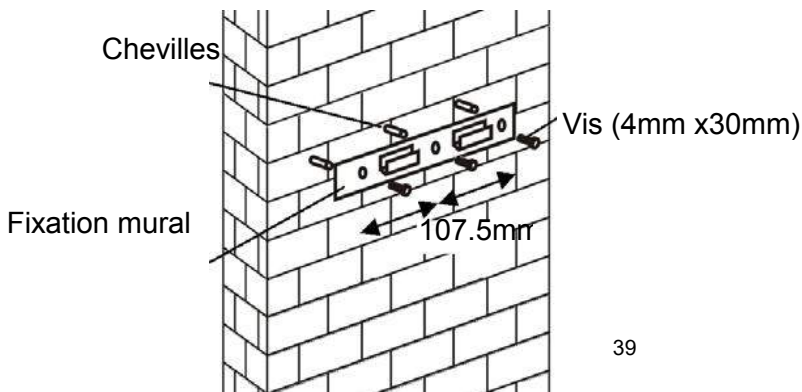
1. Avant l'installation, éteindre et débrancher l'appareil..



2. La hotte doit être placée à une distance comprise entre 65 et 75 cm au-dessus de la table de cuisson pour un meilleur résultat.

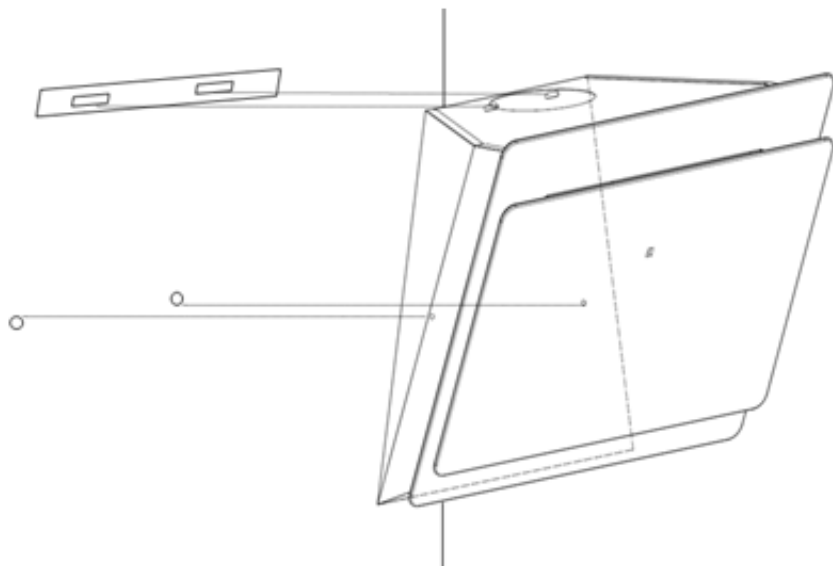


3. Percer 3 trous de 8mm x pour fixer le support. Visser et serrer le support sur le mur avec les vis fournies.

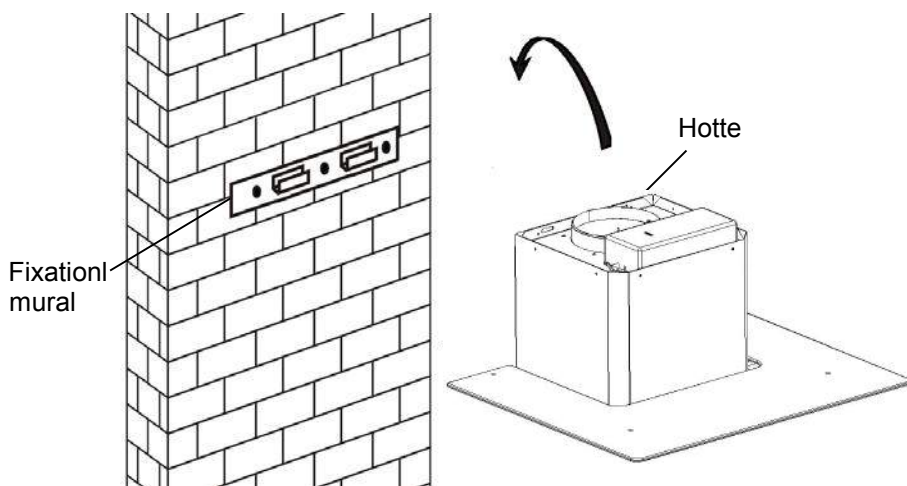


## Pour panneau incliné Modèle

- besoin de forer 2x8mm trous supplémentaires et vis de fixation et bouchons avant l'installation.



4. Soulever la hotte et fixer la sur la fixation murale

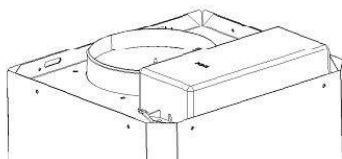


5. Fixer le clapet anti-retour pour la sortie d'air de la hotte. Puis, le tuyau d'échappement est à fixer sur le clapet anti retour comme indiqué ci-dessous

Tuyau d'évacuation



Hotte

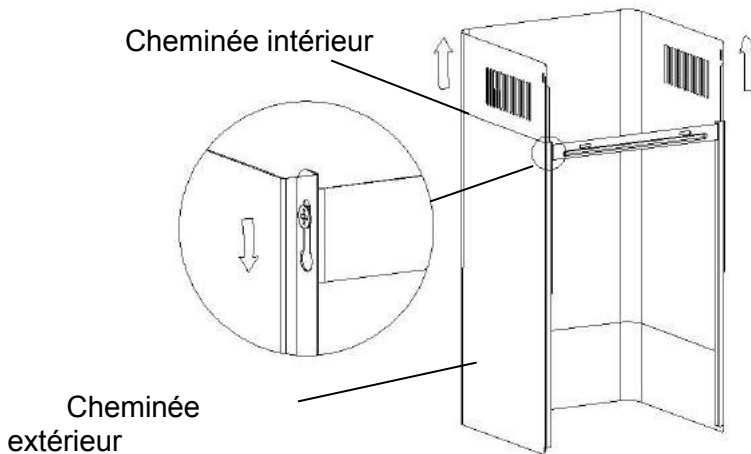


6.

i Placer correctement le verre sur le dessus de la hotte  
ii Fixer les 4 vis avec la rondelle. Afin d'éviter que le verre se fissure, il est recommandé de ne pas serrer les vis trop fortement.

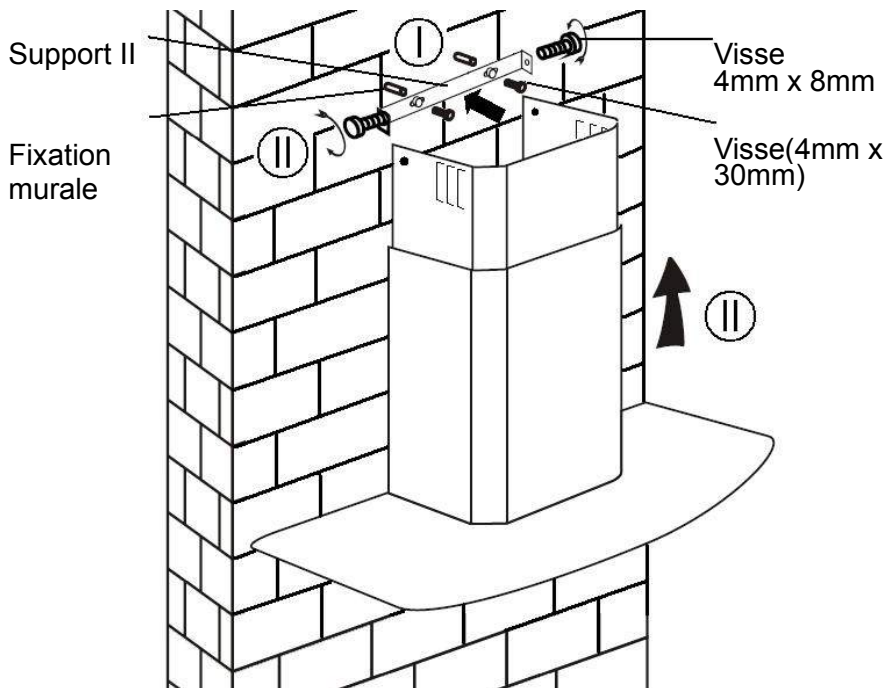
i Mettre la cheminée intérieur dans la cheminée extérieur. Puis, faire glisser la cheminée intérieure vers le haut. Ajuster pour atteindre la hauteur souhaitée.

ii faire glisser la cheminée pour ajuster la hauteur de la chemine. Quand la hauteur souhaitée est atteinte, puis accrocher le support de fixation avec les vis comme la photo ci-dessous.



8.

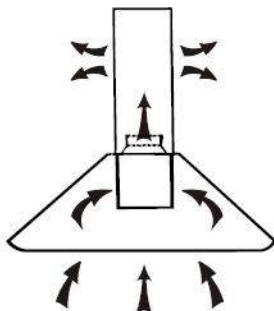
1. Percez deux trous de 8mm pour fixer le support n°2. Vissez et maintenez le support sur le mur à l'aide de deux vis adaptées.
2. Assemblez la hotte sur le support et fixez-la avec deux vis.



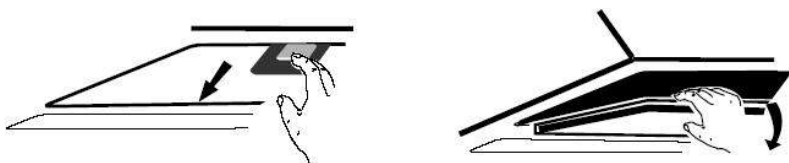
## Installation (En recyclage)

### Installation (En recyclage)

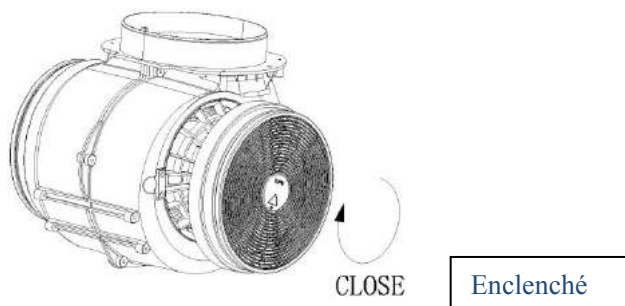
Si vous n'avez pas de sortie vers l'extérieur, le tuyau d'évacuation n'est pas nécessaire et l'installation est identique à celle expliquée dans la section « Installation en évacuation externe »



Les filtres à charbon actif sont utilisés pour absorber les odeurs. Pour installer le filtre à charbon actif, retirez dans un premier temps le filtre à graisse. Appuyez sur le système d'ouverture de la grille et tirez-la vers le bas.



Positionnez le filtre à charbon actif dans le bloc et tournez-le dans le sens des aiguilles d'une montre. Faites pareil de l'autre côté.



## NOTE :

Assurez-vous que le filtre est correctement enclenché. Autrement, il pourrait tomber, ce qui est dangereux. Quand le filtre à charbon actif est enclenché, la force d'aspiration baisse.

## Description du bandeau de commande

### CONFIGURATION 1



### Utilisation

#### **Bouton 1**

Le bouton est avec indicateur rétro-éclairé, quand vous appuyez sur le bouton, le rétro-éclairé être allumé et le ventilateur sera allumé à basse vitesse. appuyez de nouveau sur pour éteindre le ventilateur.

Utilisée pour la ventilation de la cuisine. Elle est adaptée si vous faites mijoter votre préparation ou si vous cuisinez sans qu'il y ait beaucoup de vapeur.

#### **Bouton 2**

Le bouton est avec indicateur rétro-éclairé, quand vous appuyez sur le bouton, le rétro-éclairé sera allumé et le ventilateur sera allumé à vitesse moyenne. appuyez de nouveau sur pour éteindre le ventilateur.

Cette vitesse est idéale pour une cuisson standard.

#### **Bouton 3**

Le bouton est avec indicateur rétro-éclairé, quand vous appuyez sur le bouton, le rétro-éclairage s'allumera et le ventilateur s'allumera à haute vitesse. appuyez de nouveau sur pour éteindre le ventilateur.

En cas de grosse fumée ou vapeur, appuyez sur le bouton de puissance maximale pour une évacuation parfaite de l'air ambiant.

**Note :** Si les trois puissances (minimale, intermédiaire et maximale) sont enclenchées en même temps, l'appareil fonctionnera à pleine puissance.

#### **Bouton d'éclairage**

## CONFIGURATION 2



### Utilisation

#### **Bouton Arrêt** 0

Il est utilisé pour éteindre le ventilateur

#### **Bouton vitesse minimale** 1

Utilisée pour la ventilation de la cuisine. Elle est adaptée si vous faites mijoter votre préparation ou si vous cuisinez sans qu'il y ait beaucoup de vapeur.

#### **Bouton vitesse intermédiaire** 2

Cette vitesse est idéale pour une cuisson standard.

#### **Bouton vitesse maximale** 3

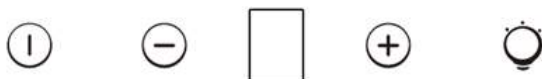
En cas de grosse fumée ou vapeur, appuyez sur le bouton de puissance maximale pour une évacuation parfaite de l'air ambiant.

**Note :** Si les trois puissances (minimale, intermédiaire et maximale) sont enclenchées en même temps, l'appareil fonctionnera à pleine puissance.

#### **Bouton d'éclairage**



## CONFIGURATION 3



- ⓘ Bouton Marche / Arrêt**  
Il est utilisé pour allumer / éteindre le ventilateur
- ⊕ Vitesse bouton plus**  
Pour augmenter la vitesse du ventilateur
- ⊖ Bouton de diminution de la vitesse**  
For decreasing the speed of the fan.
- 💡 Bouton d'éclairage**
- 8 Digital display**  
Fan speed display: "1" for Low speed, "2" for Medium speed, "3" for High speed, "4" pour la fonction Booster.

**Quick timer:** Press **⊕** & **⊖** hold for 1 second, Digital display will flashing & into 5 minutes count down, after 5 minutes motor & light will turn off automatic & Buzzer sound for 1 second.

### Fonction booster

Cette hotte a une fonction booster. Pour activer le booster, appuyez sur la touche 4, entrez dans la vitesse la plus élevée pendant que le capot est en service et il augmente la vitesse pendant 5 minutes, avant de ralentir à nouveau.

## Maintenance

Avant de nettoyer votre hotte, débranchez la prise de courant.

### 1. Nettoyage régulier

Utilisez un chiffon doux humide avec un produit nettoyant. N'utilisez jamais d'éponge du côté grattant, de produit chimique ou n'importe quel autre matériel abrasif pour nettoyer votre hotte.

### 2. Nettoyage mensuel pour le filtre à graisse

Important : nettoyer le filtre à graisse tous les mois évite des risques d'incendie.

Le filtre à graisse absorbe les graisses, les fumées et la poussière... ce qui affecte directement la puissance d'aspiration de la hotte. Non nettoyé, les résidus de graisse (potentiellement inflammables) peuvent saturer le filtre à graisse. Nettoyez-le avec un produit ménager.

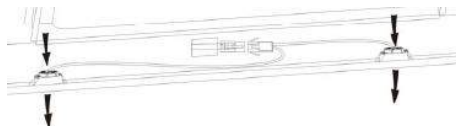
### 3. Nettoyage annuel pour les filtres à charbon actif

Ce nettoyage s'applique uniquement aux hottes qui fonctionnent en recyclage (non en évacuation externe).

Ces filtres absorbent les odeurs et doivent être remplacés au minimum une fois par an, selon la fréquence d'utilisation de la hotte.

### 4. Remplacer une ampoule

Retirez les vis sur la vitre, et enlevez-la. Trouvez l'ampoule qui doit être remplacée, vous la trouverez placée à l'intérieur de la base de la hotte.



Débranchez la connexion, retirez les douilles et le câble de la hotte. Important : il est impossible de remplacer les ampoules individuellement, il faut donc se procurer les ampoules, les douilles

et le câble en même temps. (Leds :Max 1,5W)

Remplacez les ampoules et les douilles de façon identique. Puis reconnectez le câble d'alimentation de la lumière.

Remettez la plaque en verre en place et vissez-la. Assurez-vous que les visses sont bien serrées.

## **Dépannage**

<b>Erreur</b>	<b>Cause</b>	<b>Solution</b>
Lumière allumée mais aucune ventilation	La turbine de ventilateur est coincée	Eteignez l'appareil et faites intervenir un professionnel pour la réparation
	Le moteur est endommagé	
Aucune lumière, aucune ventilation	L'ampoule est grillée	Remplacez l'ampoule avec le bon modèle
	Cordon d'alimentation débranché	Rebranchez le cordon d'alimentation
Forte vibration de la hotte	La turbine de ventilateur est coincée	Faites intervenir un professionnel pour la réparation
	Le moteur n'est pas correctement fixé	Eteignez l'appareil et faites intervenir un professionnel pour la réparation
	L'unité n'est pas correctement fixée sur le support	Décrochez l'appareil et vérifiez l'installation et l'emplacement du support de fixation
Faible puissance d'aspiration	La hauteur entre la hotte et la plaque de cuisson est trop élevée	Ajustez la hauteur entre 65-75 cm

## **Service consommateur**

Si vous ne pouvez pas identifier la cause de la panne, éteignez votre appareil et contactez le service consommateur.

Numéro de série de l'appareil : où le trouver ?

Il est important d'informer le service consommateurs de la référence de votre produit ainsi que du numéro de série (à 16 chiffres qui commence par un 3) ; il peut être trouvé sur le certificat de garantie ou sur l'appareil.

Cela peut éviter des trajets inutiles aux techniciens, mais aussi des frais de déplacement non négligeables.

## **Protection de l'environnement**

Cet appareil est produit conformément à la directive européenne 2012/19/EU concernant la mise au rebut des déchets d'équipements électriques et électroniques.



Le fait que cet article ait été réalisé en conformité avec les normes en vigueur, contribue à prévenir toute conséquence nuisible pour l'environnement et la santé, la simple mise au rebut de cet appareil provoquerait en revanche de graves dommages.

Ce symbole indique que ce produit ne peut en aucun cas être traité comme un déchet ménager, il doit être remis à un centre de collecte chargé du recyclage des équipements électriques et électroniques. Pour obtenir de plus amples détails au sujet du traitement, de l'élimination, et du recyclage de cet appareil, contacter le service local de collecte des déchets ou bien s'adresser au magasin dans lequel l'article a été acheté.



# MANUAL DE INSTALAÇÃO E UTILIZAÇÃO

## **SUMÁRIO**

INTRODUÇÃO	52
PRECAUÇÕES DE SEGURANÇA	52
ESPECIFICAÇÕES	55
INSTALAÇÃO (VENTILAÇÃO PARA O EXTERIOR)	56
INSTALAÇÃO (VENTILAÇÃO INTERIOR)	61
DESCRIÇÃO DE COMPONENTES	62
MODO DE FUNCIONAMENTO	62
MANUTENÇÃO	65
RESOLUÇÃO DE PROBLEMAS	66
CONFORMIDADE COM AS DIRECTIVAS	67
PROTECÇÃO AMBIENTAL	67

## **INTRODUÇÃO**

### **Muito obrigado por ter escolhido este modelo**

Este manual de instruções foi concebido para lhe fornecer todas as instruções de instalação, utilização e manutenção do aparelho.

Para que consiga utilizar o aparelho correctamente, por favor leia o manual de instruções cuidadosamente antes de instalar e utilizar a chaminé.

Este electrodoméstico foi concebido com materiais de alta qualidade e com um design aerodinâmico. Equipado com um motor de grande potência e um ventilador centrifugo, também é dotado de grande poder de sucção, baixo nível de ruído, filtro anti-gordura e grande facilidade de montagem e instalação.

## **PRECAUÇÕES DE SEGURANÇA**

Nunca deixe que crianças operem com o aparelho

Esta chaminé exaustor foi concebido apenas para uso doméstico, não está preparado para funcionar em barbecues, restaurantes de grelhados ou outras finalidades comerciais.

O filtro da chaminé deve ser limpo regularmente para que se mantenha em boas condições de utilização.

A limpeza deve ser feita de acordo com as instruções deste manual e longe de fontes de perigo, calor ou fogo.

Não deve ser apoiado ou encostado directamente ao fogão ou placa.

A cozinha deve ser mantida em boas condições de limpeza e segurança.

Antes de ligar este electrodoméstico, confirme se o cabo de alimentação eléctrica está em boas condições. Se o cabo de alimentação fornecido estiver danificado, este deve ser substituído apenas por um profissional qualificado e certificado.

Deve existir, na cozinha onde o aparelho for instalado, uma boa ventilação sempre que este funcione ao mesmo tempo que esquentadores, caldeiras ou outros aparelhos que consumam gás ou outros combustíveis.

O ar que é extraído por esta chaminé não deve sair ou ser descarregado pelo mesmo local por onde se escoam fumos ou outros gases de combustível a ser consumido;

Regulations concerning the discharge of air have to be fulfilled.

Este aparelho não foi concebido para ser utilizado por pessoas (incluindo crianças) com capacidades físicas, sensoriais ou mentais

reduzidas, falta de experiência e conhecimento, a menos que sejam supervisionadas e tenham sido dadas instruções específicas por parte de uma pessoa que zele pela segurança dessa pessoa.

As crianças devem ser supervisionadas para que se garanta que não brincam com este electrodoméstico.

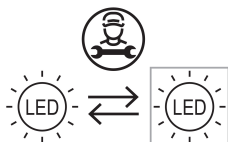
Nunca faça fogo (mesmo que seja “flambé”) junto desta chaminé

A chaminé não deve ser instalada por cima de um fogão que tenha mais de 4 queimadores ou zonas de aquecimento.

### **Risco de choque eléctrico**

Ligue este equipamento exclusivamente a uma tomada com ligação à terra. Se tiver dúvidas, esclareça-as com um profissional qualificado na matéria.

O não cumprimento destas instruções pode resultar em morte, incêndio ou choque eléctrico.



A lâmpada usada neste produto não é adequada para uso na iluminação de uma sala.

O objetivo desta lâmpada é fornecer iluminação para uso do produto.

## Instalação elétrica

Toda a instalação deve ser realizada por uma pessoa competente ou qualificada.

eletricista. Antes de ligar a fonte de alimentação, certifique-se de que tensão corresponde à tensão na placa de classificação.

### Conexão direta

O aparelho deve ser ligado directamente à corrente usando um disjuntor omni polar com uma abertura mínima de 3mm entre os contatos.

O instalador deve assegurar que a conexão elétrica correta tenha foi feito e que está de acordo com o diagrama de fiação.

O cabo não deve estar dobrado ou comprimido.

Verifique regularmente a ficha de alimentação e o cabo de alimentação quanto a danos.

Se o cabo de alimentação estiver danificado, deve ser substituído por um cabo especial ou montagem disponível do fabricante ou seu agente de serviço.

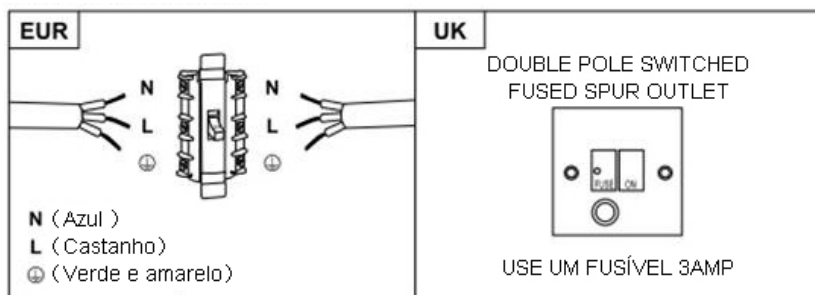
### AVISO: Este é um aparelho da Classe I e DEVE ser aterrado

Este aparelho é fornecido com um cabo de rede de 3 cores segue:

Castanho = L ou Viver

Azul = N ou Neutro

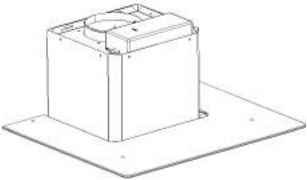

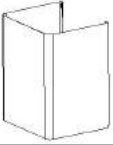


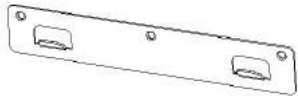



Verde e amarelo = E ou Terra (⊕)



O fusível deve ser classificado em 3 Amps.

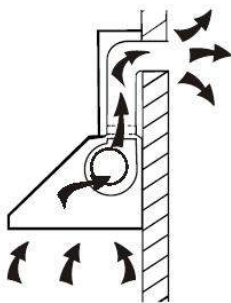


## Lista de acessórios para instalação standard

Especificações	Imagem ilustrativa	Qty
Revestimento		1
Zona de cima da chaminé		1
Zona de baixo do da chaminé		1
Calha de baixo da chaminé		1
Calha de cima da chaminé		1
Calha para pendurar		1
φ8 buchas φ8×φ6 de cor branca		9
Parafusos ST4.0×30		9
φ7.2 parafusos ST4.0×8		2

## INSTALAÇÃO (ventilação para o exterior - fixação na parede)

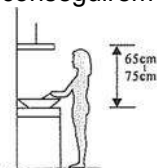
Se tiver uma saída de ar para o exterior, o exaustor pode ser ligado como demonstrado na imagem em baixo, por meio de uma conduta de extracção (esmalte, alumínio, tubo flexível de material que não seja inflamável e que tenha um diâmetro interior de 150 mm).



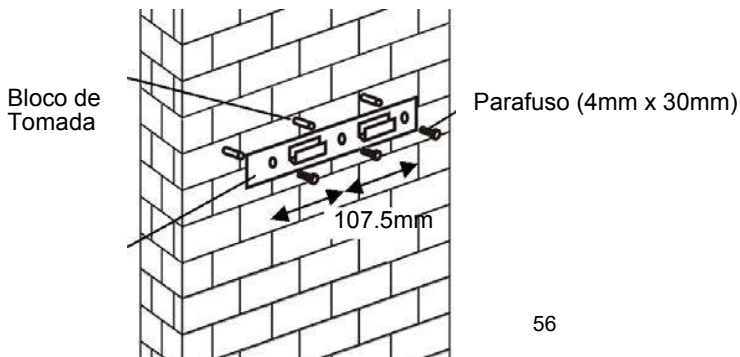
1. Antes da instalação desligue a a alimentação e retire a tomada da ficha por questões de segurança.



2. A chaminé deve ser colocada a uma distância de 65 a 75 cm acima do fogão ou placa para se conseguirem os melhores resultados

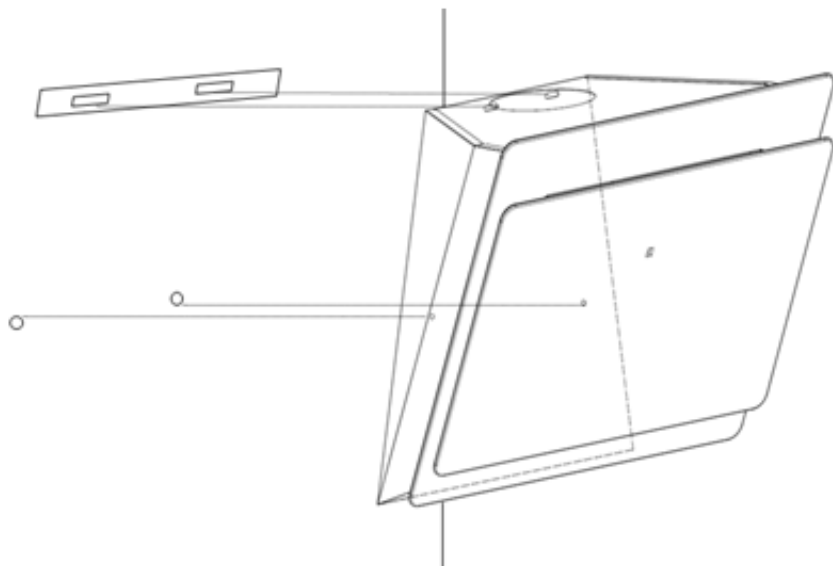


3. Faça 3 orifícios de 8mm para colocar o suporte. Ajuste o suporte à parede com os parafusos e aperte-os até o suporte estar bem fixado.

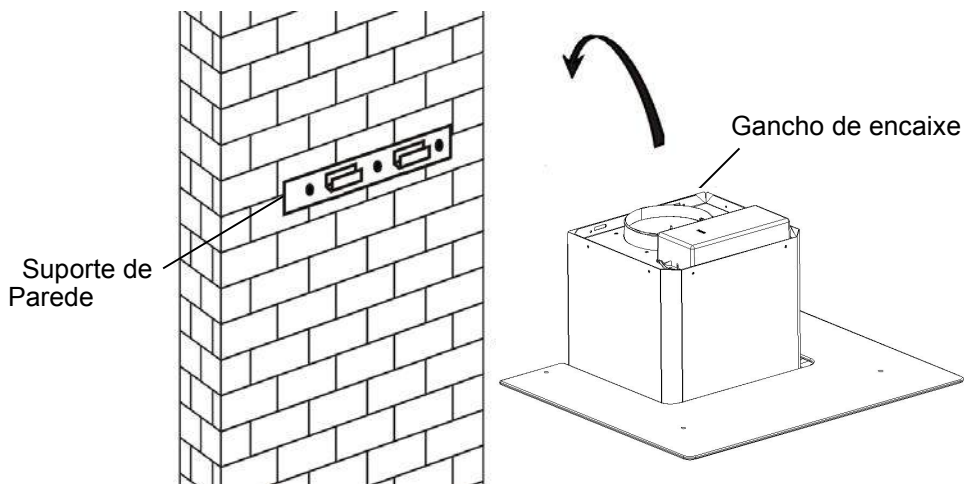


## Para modelos com painel inclinado

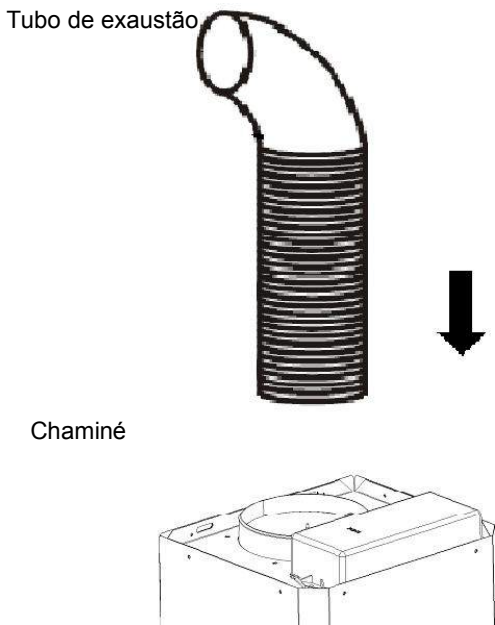
- Precisa-se fazer buracos extra de 2 x 8mm e fixar com parafusos antes da instalação



4. Levante e segure a chaminé e encaixe-a no suporte de parede depois deste ser colocado.

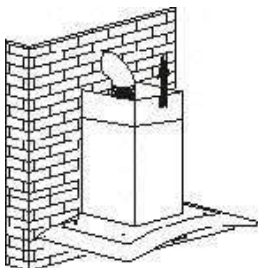


5. Fixe a válvula unidireccional para a saída de ar do exaustor. De seguida encaixe o tubo de saída do ar na válvula, como se exemplifica de seguida no desenho

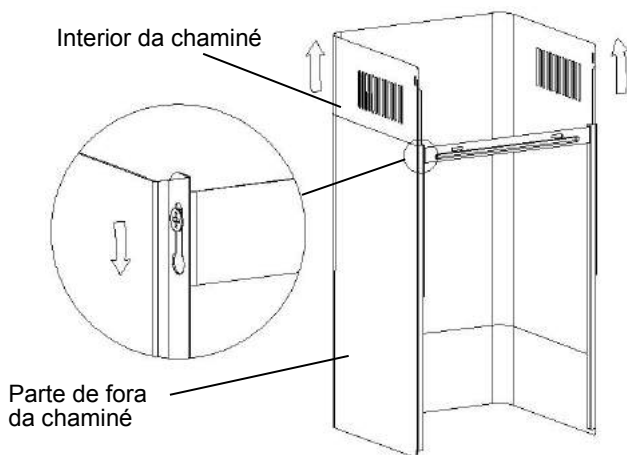


6.

- i. Coloque a parte de vidro na posição correcta, no extremo da chaminé.
  - ii. Aperte os 4 parafusos, mas não faça demasiada força para não correr o risco de partir ou rachar o vidro. Molhe ligeiramente antes de apertar os parafusos.
- i. Coloque a parte de dentro da chaminé dentro da parte exterior e ajuste até à altura pretendida.

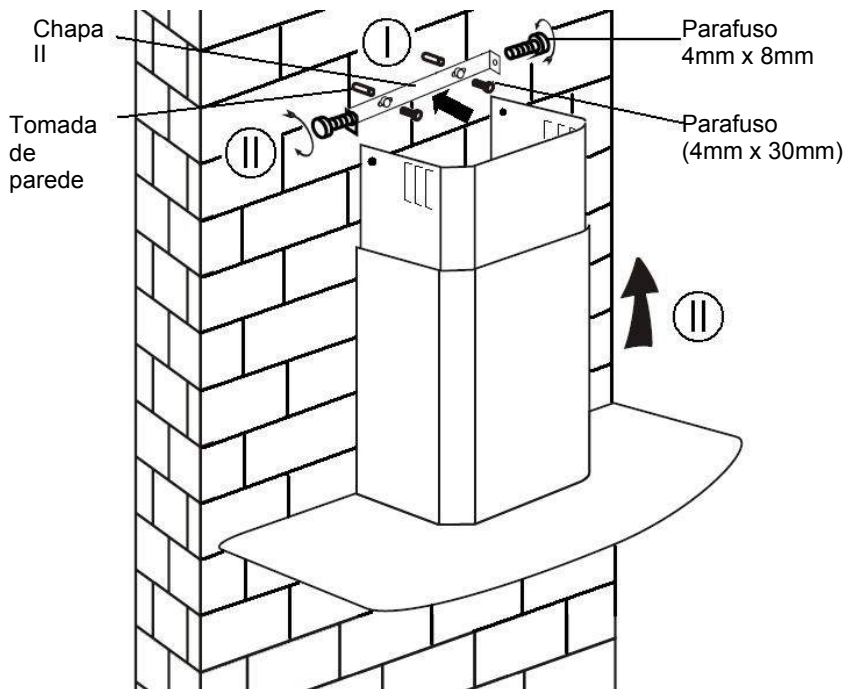


- ii. Faça deslizar a chaminé para ajustar a altura. Deve deslizar a parte de dentro e a parte de fora até obter a altura pretendida. Quando a altura desejada for alcançada, fixe os parafusos no orifício para fixar as duas partes da chaminé, conforme mostram as imagens.



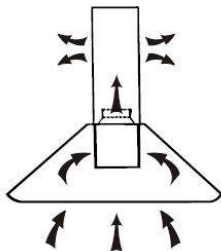
8.

- i. Faça 2 orifícios de 8mm para fixar a chapa II. Fixe e aperte, com os 2 parafusos fornecidos, a chapa na parede.
- ii. Encoste e fixe a chaminé à parede, unindo-a à placa com os 2 parafusos fornecidos. Certifique-se de que fica bem pressa, fixa e firme.

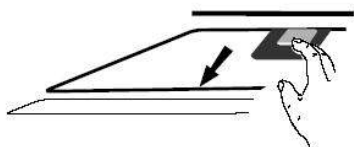


## **INSTALAÇÃO (VENTILAÇÃO INTERIOR)**

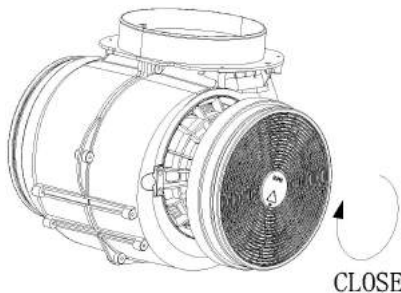
Se não dispõe de uma saída de ar para o exterior, não é necessário tubo de exaustão. A montagem e instalação será idêntica à indicada, no caso de a ventilação ser feita para o exterior.



O filtro de carvão activado pode ser usado para captar e eliminar odores mais complicados. Para instalar este filtro, deve destacar primeiro o filtro de gorduras. Pressione a tranca e puxe-o para baixo.



Instale o filtro de carvão activado no tambor e rode-o no sentido dos ponteiros do relógio. Repita a mesma operação do outro lado.



### **NOTA:**

- o *Certifique-se de que os filtros estão trancados com segurança. Caso contrário, podem-se soltar e causar danos.*
- o *Quando o filtro de carbono activado funciona, o poder de sucção será menor*

## **DESCRIÇÃO DE COMPONENTES**

### **CONFIGURAÇÃO 1**



## **FUNCIONAMENTO**

### **Botão 1**

O botão está com luz indicadora de fundo, quando você pressiona o botão, o backlit será ligado e o ventilador será ligado em baixa velocidade. quando pressionar novamente, ele desligará o ventilador. Esta velocidade é utilizada para ventilação da cozinha. Também usada para cozeduras e cozinhados que não produzam muito vapor.

### **Botão 2**

O botão está com luz indicadora de fundo, quando você pressiona o botão, o backlit será ligado e o ventilador será ligado em velocidade média. quando pressionar novamente, ele desligará o ventilador. Esta velocidade é ideal para ventilação na maioria dos cozinhados a realizar numa cozinha

### **Botão 3**

O botão está com o indicador iluminado, quando você pressiona o botão, o backlit será ligado e o ventilador será ligado em alta velocidade. quando pressionar novamente, ele desligará o ventilador. Função utilizada para cozinhados que produzem muito vapor, fumos e cheiros. Nestes casos, pressione o botão correspondente à velocidade mais alta para uma efectiva ventilação e extracção de fumos.

*NOTA: Se os botões de velocidade lenta, media e alta estiverem forem pressionados e seleccionados ao mesmo tempo, o comando que será activado, será o de velocidade mais alta.*

### **Botão da luz**



## CONFIGURATION 2



### **FUNCIÓNAMENTO**

#### **Botão Off 0**

É usado para desligar o ventilador

#### **Botão de velocidade lenta 1**

Esta velocidade é utilizada para ventilação da cozinha. Também usada para cozeduras e cozinhados que não produzam muito vapor.

#### **Botão de velocidade média 2**

Esta velocidade é ideal para ventilação na maioria dos cozinhados a realizar numa cozinha.

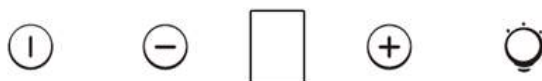
#### **Botão de alta velocidade 3**

Função utilizada para cozinhados que produzem muito vapor, fumos e cheiros. Nestes casos, pressione o botão correspondente à velocidade mais alta para uma efectiva ventilação e extracção de fumos.

*NOTA: Se os botões de velocidade lenta, media e alta estiverem forem pressionados e seleccionados ao mesmo tempo, o comando que será activado, será o de velocidade mais alta.*

#### **Botão da luz**

## CONFIGURAÇÃO 3



- ⓘ Botão On / Off**  
É usado para ligar / desligar o ventilador
- ⊕ Velocidade botão mais**  
Para aumentar a velocidade do ventilador
- ⊖ Botão de diminuição de velocidade**  
Para diminuir a velocidade do ventilador.
- 💡 Botão de luz**

**8 Tela digital**  
indicação da velocidade do ventilador: "1" para a velocidade baixa, "2" para a velocidade média, "3" para alta velocidade, "4" para função Booster.

**Temporizador rápido:** Prima **⊕** e **⊖** mantenha durante 1 segundo, display digital irá piscar e em 5 minutos contagem regressiva, após 5 minutos motor & luz vai desligar o som automática & Buzzer por 1 segundo.

### Função Booster

Esta chaminé tem função booster. Para a ativar, pressione **⊕** para a velocidade 4, a chaminé vai entrar na velocidade máxima/extra e ficará assim por 5 minutos, altura em que vai abrandar novamente para a velocidade em que estava anteriormente.

## **MANUTENÇÃO**

Antes de limpar a chaminé, desligue-a e retire a ficha da tomada

### **I. Limpeza Regular**

Utilize um pano macio embebido em água morna e um detergente doméstico suave (da loiça, por exemplo). Lave com o pano e o detergente com água, utilizando simplesmente as mãos. Não recorra a materiais de metal, como escovas de dentes, metálicas ou outras para limpar o aparelho.

### **II. Limpeza mensal ao filtro para gorduras**

*ATENÇÃO: Limpe este filtro todos os meses para prevenir qualquer risco de incêndio.*

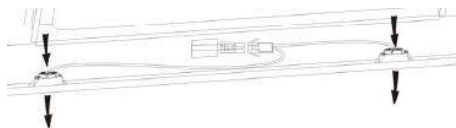
O filtro absorve gorduras, fumo e pó..... por isso o estado do filtro afecta directamente a eficiência do exaustor. Se não estiver limpo, os resíduos de gordura (potencialmente inflamáveis) vão saturar no filtro. Por isso deve ser limpo e lavado com detergente domestico (detergente da loiça ou outro tipo de detergente utilizado em limpezas domésticas).

### **III. Limpeza anual do filtro de Carbono Activado**

Aplica-se exclusivamente ao aparelho instalado como unidade de renovação e circulação do ar (sem ventilação para o exterior). Este filtro absorve os cheiros e deve ser substituído pelo menos uma vez por ano, dependendo da frequência com que é utilizado.

### **IV. Trocar uma lâmpada**

Retire os parafusos do vidro, depois retire a campânula de vidro. Determine qual a lâmpada que precisa de ser substituída e retire-a. Vai encontrar as lâmpadas dentro da secção de iluminação.



Desligue o ponto de luz e elimine os porta-lâmpadas, os casquilhos, retirando-os da chaminé. Importante: não é possível substituir as lâmpadas individualmente, tem que adquirir o suporte para lâmpadas, o sistema de fixação e as lâmpadas, numa peça completa que existe disponível no mercado (Luz LED: G4, MAX 1.5W)

Substitua as lâmpadas, o porta-lâmpadas e todo o kit, tal como estavam os originais. De seguida volte a ligar o ponto de luz. Volte a colocar a campânula de vidro e aperte bem os parafusos.

## **RESOLUÇÃO DE PROBLEMAS**

<b>Problema</b>	<b>Causa possível</b>	<b>Solução</b>
A luz acende, mas o ventilador não funciona	A pá do ventilador pode estar presa.	Desligar a chaminé, que deve ser reparada por um profissional qualificado da assistência técnica
	O motor pode estar avariado	
Luz e ventilador não funcionam	Lâmpada fundida.	Substitui a lâmpada por uma boa e adequada
	Cabo de alimentação danificado ou partido	Ligue novamente um cabo de alimentação.
Vibração se barulhos na chaminé	A pá do ventilador estará danificada	Desligar a chaminé, que deve ser reparada por um profissional qualificado da assistência técnica
	A pá do motor pode não estar correctamente fixada.	Desligar a chaminé, que deve ser reparada por um profissional qualificado da assistência técnica
	A chaminé pode não estar correctamente assente e fixa no suporte	Retire a chaminé e verifique se o suporte onde esta encaixa está devidamente localizado e fixado.
A performance/ poder de sucção estão fracos	Pode existir uma distância demasiado grande entre a chaminé e o fogão ou placa	Reajustar a distância para 65 a 75cm entre a chaminé e o fogão

## **SERVIÇO DE ASSISTÊNCIA AO CLIENTE**

Se não conseguir identificar a causa da avaria ou anomalia de funcionamento, desligue o aparelho e contacte o Serviço de Assistência Técnica.

Número de série do produto: não consegue encontrá-lo?

É muito importante que informe o Serviço de Assistência Técnica do código e respectivo número de série do produto (um código de 16 caracteres que começa pelo número 3), que pode ser encontrado no Certificado de Garantia ou na pequena placa de identificação situada no próprio aparelho. Este passo vai evitar uma deslocação inútil dos técnicos apenas para verificarem o número de série. Evita ainda gastos desnecessários e possíveis reclamações.

## **PROTECÇÃO AMBIENTAL**

Resíduos ou lixo eléctrico, electrodomésticos antigos, usados ou estragados não devem ser eliminados e deitados for a com o lixo habitual do dia-a-dia. Por favor informe-se na sua localidade, com as autoridades locais, onde existem locais para depósito e posterior reciclagem de electrodomésticos e material eléctrico.



### **Tratamento de resíduos eléctricos e equipamento electrónico**

Ao garantir que este produto é correctamente eliminado, sendo depositado nos locais adequados, está a prevenir potenciais consequência negativas para o ambiente e para a saúde humana, que poderiam ser causadas pelo tratamento inadequado deste tipo de lixo.

A eliminação do produto deve ser feita em conformidade com as normas ambientais em vigor em cada país e com as normas europeias, se for o caso.

Para obter informações mais detalhadas sobre o tratamento no fim de vida e reciclagem do produto, entre em contacto com os serviços locais de reciclagem e de recolha de lixo ou com o estabelecimento onde adquiriu o produto.

# ΟΔΗΓΙΕΣ ΧΡΗΣΕΩΣ

## ΠΕΡΙΕΧΟΜΕΝΑ

ΕΙΣΑΓΩΓΗ	69
ΟΔΗΓΙΕΣ ΑΣΦΑΛΕΙΑΣ	69
ΥΠΗΡΕΣΙΕΣ ΤΕΧΝΙΚΗΣ ΥΠΟΣΤΗΡΙΞΗΣ	
ΣΥΜΜΟΡΦΩΣΗ ΣΤΗΝ ΙΣΧΥΟΥΣΑ ΝΟΜΟΘΕΣΙΑ	72
ΕΓΚΑΤΑΣΤΑΣΗ (με απαγωγή αέρα)	73
ΕΓΚΑΤΑΣΤΑΣΗ (ανακύκλωση)	78
ΠΕΡΙΓΡΑΦΗ ΕΞΑΡΤΗΜΑΤΩΝ	79
ΛΕΙΤΟΥΡΓΙΕΣ	
ΣΥΝΤΗΡΗΣΗ	83
ΑΝΤΙΜΕΤΩΠΙΣΗ ΠΡΟΒΛΗΜΑΤΩΝ	83
ΠΡΟΣΤΑΣΙΑ ΤΟΥ ΠΕΡΙΒΑΛΛΟΝΤΟΣ	84

## **ΕΙΣΑΓΩΓΗ**

### **Σας ευχαριστούμε που επιλέξατε αυτόν τον απορροφητήρα**

Το βιβλίο που κρατάτε στα χέρια σας περιέχει όλες εκείνες τις οδηγίες και πληροφορίες που είναι χρήσιμες για την εγκατάσταση χρήση και συντήρηση της συσκευής.

Για την σωστή λειτουργία και εγκατάσταση της συσκευής παρακαλούμε να διαβάσετε προσεκτικά το βιβλίο οδηγιών που κρατάτε στα χέρια σας.

Το καπέλο της συσκευής έχει κατασκευαστεί από εξαιρετικά υλικά και έχει αεροδυναμικό σχεδιασμό.

Είναι εξοπλισμένο με ένα ηλεκτρικό μοτέρ και ένα ανεμιστήρα που εξασφαλίζει μεγάλη ισχύ απορρόφησης ενώ η λειτουργία του είναι αθόρυβη, διαθέτει επίσης ένα φίλτρο κατακράτησης λίπους το οποίο εγκαθίσταται χωρίς δυσκολία.

## **ΜΕΤΡΑ ΑΣΦΑΛΕΙΑΣ**

Μην αφήνετε τα παιδιά να χρησιμοποιούν τη συσκευή

Αυτή η συσκευή (απορροφητήρας) σχεδιάστηκε αποκλειστικά για οικιακή χρήση. Ο απορροφητήρας αυτός είναι ακατάλληλος για χρήση σε μπαρμπεκιού, ψησταριά ή άλλες επαγγελματικές χρήσεις

Ο απορροφητήρας και το φίλτρο πρέπει να πλένονται τακτικά έτσι ώστε να εξασφαλίζεται η αποτελεσματική λειτουργία τους.

Καθαρίζετε τον απορροφητήρα σύμφωνα με τις οδηγίες και μην χρησιμοποιείτε τη συσκευή σε σημεία που υπάρχει κίνδυνος πυρκαγιάς

Δεν επιτρέπεται το ψήσιμο απευθείας επάνω στη φλόγα της εστίας υγραερίου

Διατηρείται τον περιβάλλοντα χώρο τακτοποιημένο και καθαρό

Πριν συνδέσετε τη συσκευή βεβαιωθείτε ότι το καλώδιο παροχής δεν παρουσιάζει φθορές. Εάν το καλώδιο εμφανίζει φθορές πρέπει να αντικατασταθεί από έμπειρο τεχνικό .

Ενώσω ο απορροφητήρας βρίσκεται σε λειτουργία σε χώρο στον οποίο ταυτόχρονα λειτουργούν συσκευές με υγραέριο ή άλλο καύσιμο, πρέπει να εξασφαλίζεται ο επαρκής εξαερισμός του χώρου.

Η απαγωγή του αέρα δεν πρέπει να γίνεται σε καπνοδόχο που χρησιμοποιείται για την απαγωγή των αερίων που παράγονται από συσκευές αερίου ή άλλου καύσιμου.

Η απαγωγή του αέρα πρέπει να γίνεται σύμφωνα με την ισχύουσα νομοθεσία.

Η συσκευή αυτή δεν πρέπει να χρησιμοποιείται από άτομα(και παιδιά ) με μειωμένες ψυχοφυσικές ικανότητες ή από άτομα που δεν διαθέτουν γνώση και εμπειρία γύρω από το τρόπο λειτουργίας της συσκευής. Η χρήση της συσκευής από τα προαναφερθέντα άτομα πρέπει να γίνεται με την επίβλεψη ατόμου που θα φέρει την ευθύνη για την ασφάλεια τους.

Μην αφήνετε τα παιδιά να παίζουν με τη συσκευή.

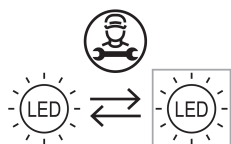
Μην ανάβετε φλόγες κάτω από τον απορροφητήρα.

Ο απορροφητήρας αυτός μπορεί να χρησιμοποιηθεί αποκλειστικά πάνω από συσκευές με 4 το πολύ εστίες.

### **Κίνδυνος ηλεκτροπληξίας**

Η σύνδεση της συσκευής πρέπει να γίνει αποκλειστικά σε γειωμένη πρίζα. Σε περίπτωση αμφιβολίας ζητήστε την βοήθεια εξειδικευμένου τεχνικού.

Η μη τήρηση των προαναφερθέντων οδηγιών μπορεί να προκαλέσει ,πυρκαγιά και ηλεκτροπληξία.



Η λάμπα που χρησιμοποιείται σε αυτό το προϊόν δεν είναι κατάλληλη για χρήση στο φωτισμό ενός δωματίου.Ο σκοπός αυτής της λάμπας είναι να παρέχει φωτισμό κατά τη χρήση του προϊόντος.



## Ηλεκτρική εγκατάσταση

Όλες οι εγκαταστάσεις πρέπει να πραγματοποιούνται από αρμόδιο άτομο ή από ειδικευμένο προσωπικό ηλεκτρολόγος. Πριν συνδέσετε το ηλεκτρικό δίκτυο, βεβαιωθείτε ότι το δίκτυο η τάση αντιστοιχεί στην τάση στην πινακίδα τύπου.

### Απευθείας σύνδεση

Η συσκευή πρέπει να συνδεθεί απευθείας στο δίκτυο με ένα παντολικό διακόπτη με ελάχιστο άνοιγμα μεταξύ 3 mm τις επαφές.

Ο εγκαταστάτης πρέπει να βεβαιωθεί ότι έχει τη σωστή ηλεκτρική σύνδεση και ότι συμμορφώνεται με το διάγραμμα καλωδίωσης.

Το καλώδιο δεν πρέπει να λυγίζει ή να συμπιέζεται.

Ελέγχετε τακτικά το βύσμα και το καλώδιο τροφοδοσίας για ζημιές.

Εάν το καλώδιο τροφοδοσίας είναι κατεστραμμένο, πρέπει να αντικατασταθεί από ειδικό καλώδιο ή συναρμολόγησης που διατίθεται από τον κατασκευαστή ή τον αντιπρόσωπό του.

### ΠΡΟΕΙΔΟΠΟΙΗΣΗ: Πρόκειται για συσκευή Κατηγορίας I και ΠΡΕΠΕΙ να είναι γειωμένη

Αυτή η συσκευή τροφοδοτείται με καλώδιο τριών κυκλωμάτων με έγχρωμο χρώμα ακολουθεί:

καφέ = L ή Zw

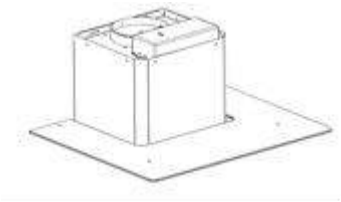




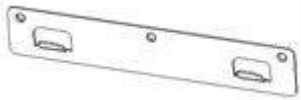
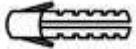


Μπλε = N ή Ουδέτερος

Πράσινο και Κίτρινο = E ή Γη (⊥)



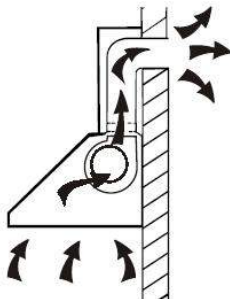
Η ασφάλεια πρέπει να έχει ονομαστική τιμή 3 Amps

### Πίνακας εξαρτημάτων για τυπική εγκατάσταση (standard)

Περιγραφή	Εικόνα	Ποσότητα
Καπέλο		1
Άνω καμινάδα		1
Κάτω καμινάδα		1
Βάση στήριξης κάτω καμινάδας		1
Βάση στήριξης άνω καμινάδας		1
Βάση στερέωσης		1
Ούπα		9
Βίδες ST4.0×30		9
D7.2 Βίδες ST4.0×8		2

## ΕΓΚΑΤΑΣΤΑΣΗ στο τοίχο (απαγωγή στο περιβάλλοντα χώρο)

Εάν διατίθεται μια οπή απαγωγής του αέρα στο περιβάλλον ο απορροφητήρας μπορεί να συνδεθεί όπως απεικονίζεται στο σχέδιο που ακολουθεί, με την βοήθεια ενός σωλήνα από (σμάλτο, αλουμίνιο, εύκαμπτο σωλήνα ή άλλο μη εύφλεκτο υλικό, με εσωτερική διάμετρο 150mm)



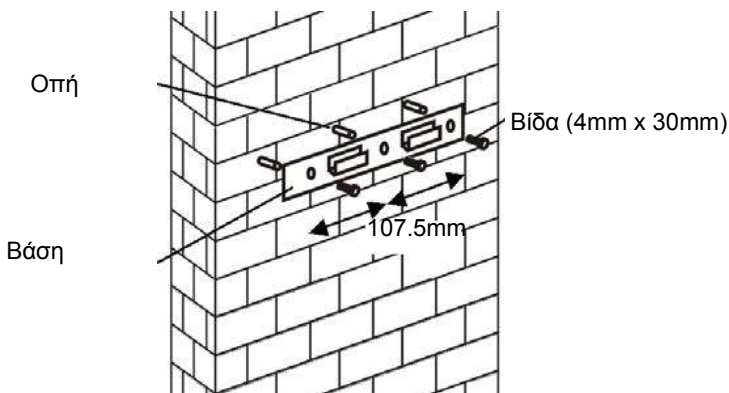
1. Πριν από την εγκατάσταση διακόψτε την λειτουργία της συσκευής και αποσυνδέστε την.



2. Ο απορροφητήρας πρέπει να απέχει από την επιφάνεια της εστίας 65 – 75 cm με αυτό το τρόπο λειτουργεί καλύτερα .

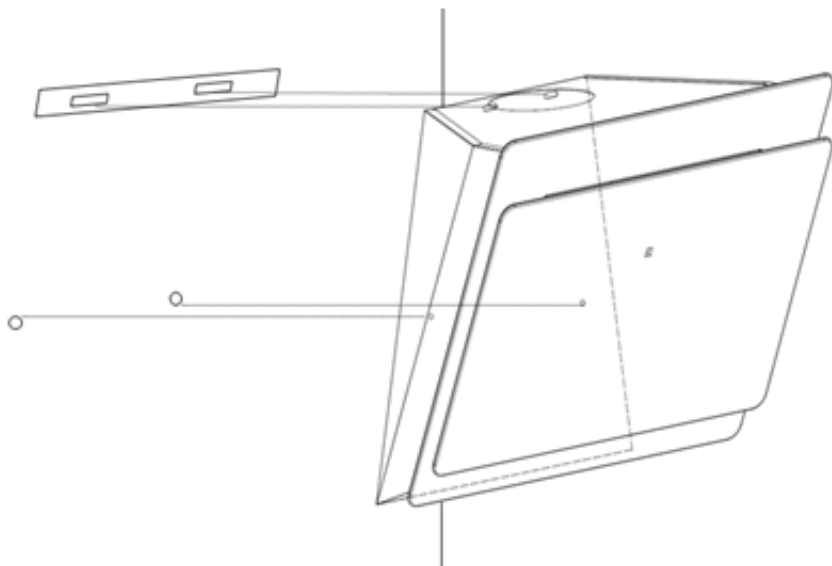


3. Ανοίξτε τρεις οπές 8mm για να βιδώσετε την βάση στήριξης. Βιδώστε και σφίξτε με τις βίδες που συνοδεύουν την βάση στήριξης .

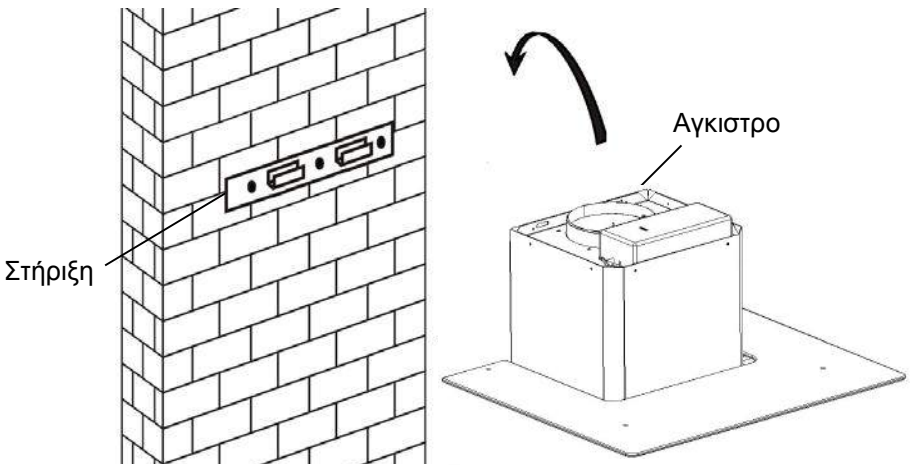


## Για μοντέλα με κεκλιμένο πλαίσιο

- Θα πρέπει να ανοίξετε επιπλέον οπές 2x8 χιλιοστών και να προμηθευτείτε βίδες στερέωσης και υποδοχές (ούπτα) πριν από την εγκατάσταση.



4. Σηκώστε το καπέλο και κρεμάστε το στην βάση στήριξης



5. Στερεώστε την βαλβίδα μιας κατεύθυνσης για την απαγωγή των αερίων από τον απορροφητήρα. Στην συνέχεια συνδέστε το σωλήνα απαγωγής επάνω στην βαλβίδα όπως φαίνεται στην πιο κάτω εικόνα.

Σωλήνας απαγωγής αερίων

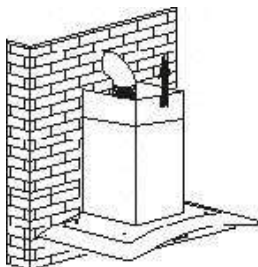


Καπέλο



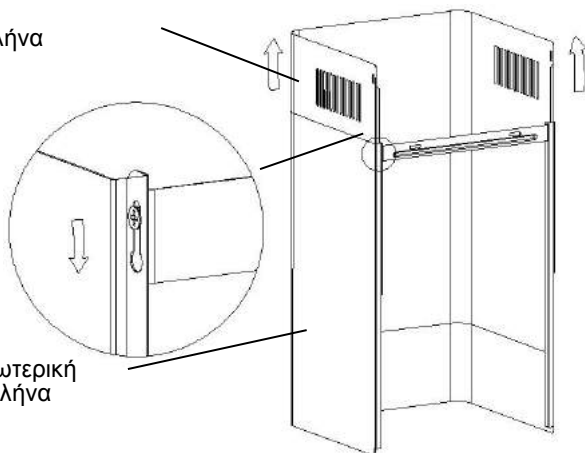
6.

- i. Τοποθετείστε το γυαλί στην θέση του στο επάνω μέρος του απορροφητήρα .
- ii. Στερεώστε τις 4 βίδες με τις ροδέλες. Μην σφίξετε τις βίδες πολύ δυνατά γιατί υπάρχει κίνδυνος να σπάσει
- i. Θηλυκώστε τον ένα σωλήνα μέσα στον άλλο και τραβήξτε τον εσωτερικό σωλήνα προς την οροφή. Ρυθμίστε ανάλογα το ύψος που θέλετε .



- ii. Ανασηκώστε την καμινάδα ώστε να διαμορφώσετε ανάλογα το ύψος .Αφού ρυθμίσετε το ύψος, κρεμάστε την σωλήνα από τις οπές στερέωσης στις βίδες όπως απεικονίζεται πιο κάτω.

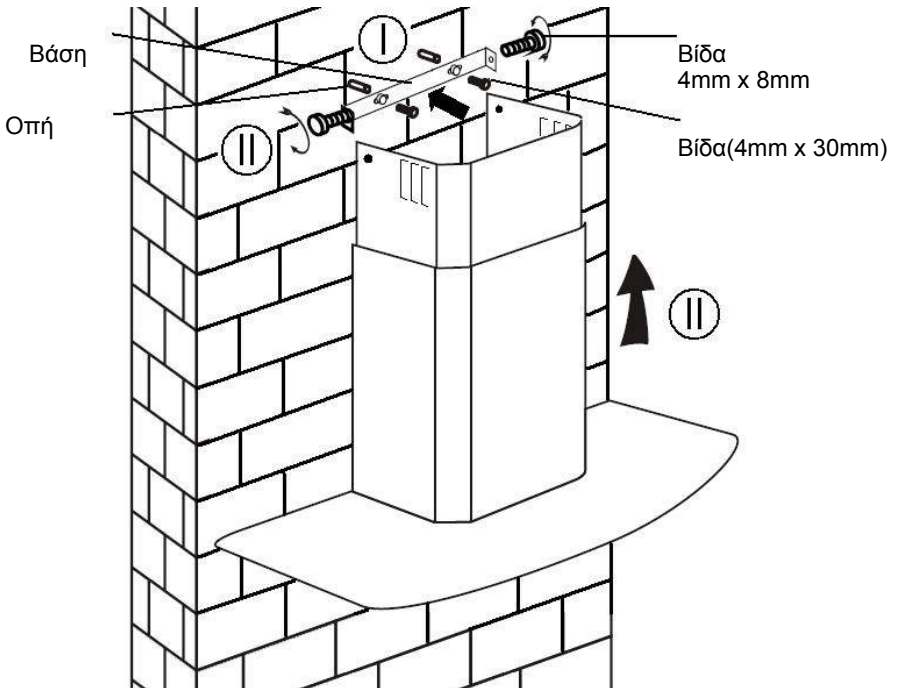
Εσωτερική σωλήνα



Εξωτερική  
σωλήνα

7.

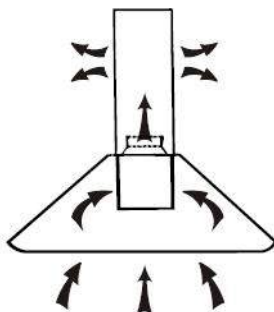
- i. Ανοίξτε δύο οπές με διάμετρο 8mm για να τοποθετήσετε την δεύτερη βάση. Βιδώστε και στερεώστε την δεύτερη βάση με τις δύο διαθέσιμες βίδες
- ii. Ευθυγραμμίστε τους αγωγούς με την βάση και στερεώστε με τις δύο βίδες .



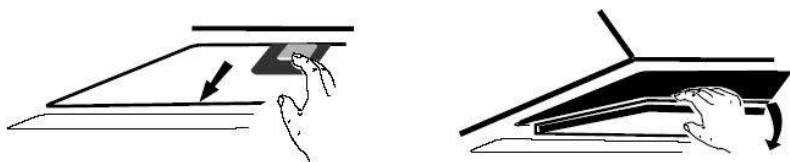
## **ΕΓΚΑΤΑΣΤΑΣΗ (λειτουργία ανακύκλωσης)**

Εάν ο χώρος που θα εγκαταστήσετε τον απορροφητήρα δεν διαθέτει σημείο απαγωγής ,δεν απαιτείται η χρήση του εύκαμπτου σωλήνα.

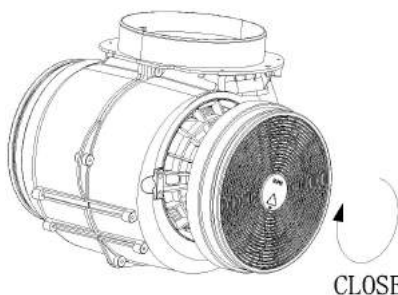
Ο τρόπος εγκατάστασης είναι όμοιος με εκείνο που περιγράφεται στην παράγραφο **ΕΓΚΑΤΑΣΤΑΣΗ στο τώχο (απαγωγή στο περιβάλλοντα χώρο)**



Μπορείτε να χρησιμοποιήσετε το φίλτρο ενεργού άνθρακα για να περιορίσετε τις μυρωδιές. Για να τοποθετήσετε το φίλτρο ενεργού άνθρακα πρέπει να αφαιρέσετε πρώτα το φίλτρο κατακράτησης λίπους πιέζοντας το γάντζο στερέωσης.



Τοποθετείστε το φίλτρο ενεργού άνθρακα από την πλευρά του μοτέρ και περιστρέψτε δεξιόστροφα . Επαναλάβετε το ίδιο και από την άλλη πλευρά



### **ΣΗΜΕΙΩΣΗ:**

οΒεβαιωθείτε ότι το φίλτρο είναι καλά στερεωμένο ,διαφορετικά μπορεί να φύγει από τη θέση του και να κάνει ζημιά .

ο Μόλις το φίλτρο στερεωθεί η ισχύς θα μειωθεί.



## ΠΕΡΙΓΡΑΦΗ ΕΞΑΡΤΗΜΑΤΩΝ

### ΔΙΑΜΟΡΦΩΣΗ 1



### ΛΕΙΤΟΥΡΓΙΕΣ

#### **Κουμπί1**

Το πλήκτρο είναι με ένδειξη φωτισμού με οπίσθιο φωτισμό, όταν πιέζετε το κουμπί, ο οπίσθιος φωτισμός θα ανάψει και ο ανεμιστήρας θα ανάψει με χαμηλή ταχύτητα. όταν πατήσετε ξανά, θα απενεργοποιήσει τον ανεμιστήρα.

Χρησιμοποιείται για τον εξαερισμό της κουζίνας.

Ενδεικνύεται όταν βράζου με νερό ή μαγειρεύου με φαγητό που παράγει λίγο ατμό.

#### **Κουμπί2**

Το πλήκτρο είναι με ένδειξη φωτισμού προς τα πίσω, όταν πιέζετε το κουμπί, ο οπίσθιος φωτισμός θα ενεργοποιηθεί και ο ανεμιστήρας θα ενεργοποιηθεί με τη μέτρια ταχύτητα. όταν πατήσετε ξανά, θα απενεργοποιήσει τον ανεμιστήρα.

Χρησιμοποιείται για τον εξαερισμό της κουζίνας με σάνταρ λειτουργία.

#### **Κουμπί3**

Το κουμπί είναι με ένδειξη φωτισμού με οπίσθιο φωτισμό, όταν πιέζετε το κουμπί, ο οπίσθιος φωτισμός θα ενεργοποιηθεί και ο ανεμιστήρας θα ενεργοποιηθεί σε υψηλή ταχύτητα. όταν πατήσετε ξανά, θα απενεργοποιήσει τον ανεμιστήρα. Χρησιμοποιείται για τον εξαερισμό της κουζίνας όταν έχουμε παραγωγή πολύ καπνού και ατμών.

*ΣΗΜΕΙΩΣΗ : Πιέζοντας ταυτόχρονα και τα τρία πλήκτρα, η συσκευή θα λειτουργήσει με την μέγιστη ταχύτητα εξαερισμού.*

#### **Πλήκτρο φωτισμού**

## ΔΙΑΜΟΡΦΩΣΗ 2



### **ΛΕΙΤΟΥΡΓΙΕΣ**

#### **Κουμπί Off**

Είναι χρησιμοποιείται για την απενεργοποίηση του ανεμιστήρα.

#### **Πλήκτρο χαμηλής ταχύτητας** **1**

Χρησιμοποιείται για τον εξαερισμό της κουζίνας. Ενδείκνυται όταν βράζουμε νερό ή μαγειρεύουμε φαγητό που παράγει λίγο ατμό.

#### **Πλήκτρο μεσαίας ταχύτητας** **2**

Χρησιμοποιείται για τον εξαερισμό της κουζίνας με στάνταρ λειτουργία.

#### **Πλήκτρο χαμηλής ταχύτητας** **3**

Χρησιμοποιείται για τον εξαερισμό της κουζίνας όταν έχουμε παραγωγή πολύ καπνού και ατμών.

*ΣΗΜΕΙΩΣΗ : Πιέζοντας ταυτόχρονα και τα τρία πλήκτρα ,η συσκευή θα λειτουργήσει με την μέγιστη ταχύτητα εξαερισμού .*

#### **Πλήκτρο φωτισμού**

### ΔΙΑΜΟΡΦΩΣΗ 3



#### **Κουμπί On / Off**

Είναι χρησιμοποιείται για την ενεργοποίηση / απενεργοποίηση του ανεμιστήρα.



#### **Ταχύτητα συν το κουμπί**

Για την αύξηση της ταχύτητας του ανεμιστήρα



#### **Κουμπί μείωσης ταχύτητας**

Για τη μείωση της ταχύτητας του ανεμιστήρα.





#### **κουμπί φωτός**



#### **ψηφιακή οθόνη**

Ένδειξη ταχύτητας ανεμιστήρα: "1" για χαμηλή ταχύτητα, "2" για Μεσαία ταχύτητα, "3" για υψηλή ταχύτητα, "4" για τη λειτουργία Booster.

**Quick timer:** Πατήστε το  &  κρατήστε για 1 δευτερόλεπτο, ψηφιακή οθόνη θα αναβοσβήνει και σε 5 λεπτά μετράνε προς τα κάτω, μετά από 5 λεπτά κινητήρα και το φως θα σβήσει αυτόματα & Buzzer ήχος για 1 δευτερόλεπτο.

#### **Λειτουργία Booster**

Ο απορροφητήρας διαθέτει λειτουργία Booster. Για να την ενεργοποιήσετε, πατήστε την ένδειξη μέχρι να φτάσετε στην ένταση απορρόφησης 4 και αφού ενεργοποιηθεί υψηλότερη ταχύτητα απορρόφησης κατά την διάρκεια λειτουργίας του απορροφητήρα, η ταχύτητα θα αυξηθεί επιπλέον για 5 λεπτά και έπειτα θα επανέλθει.

## **ΣΥΝΤΗΡΗΣΗ**

Πριν από κάθε διαδικασία καθαρισμού διακόψτε την λειτουργία της συσκευής και αποσυνδέστε την από την παροχή .

### **I. Συνήθης καθαρισμός**

Καθαρίστε με ένα υγρό μαλακό ύφασμα στο οποίο θα έχετε προσθέσει μικρή ποσότητα απορρυπαντικού για το σπίτι ή σαπουνόνερο.Μην χρησιμοποιείτε συρματάκι καθαρισμού,χημικές ουσίες,διαβρωτικά υλικά ή πολύ σκληρές βούρτσες.

### **II. Μηνιαίος καθαρισμός των Φίλτρων**

*ΕΠΙΣΗΜΑΝΣΗ:* Ο μηνιαίος καθαρισμός των φίλτρων είναι απαραίτητος για την αποφυγή κίνδυνου πυρκαγιάς .

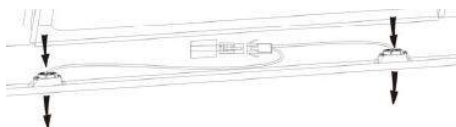
Τα φίλτρα μαζεύουν λίπος και σκόνη επηρεάζοντας την αποτελεσματική λειτουργία του απορροφητήρα. Εάν δεν καθαριστούν ,τα υπολείμματα του λίπους (που είναι εύφλεκτα ) μπορεί να βουλώσουν τα φίλτρα. Ο καθαρισμός των φίλτρων να γίνεται με απορρυπαντικό καθαρισμού για το σπίτι.

### **III. Ετήσιος καθαρισμός Φίλτρων Άνθρακα**

Αφορά ΑΠΟΚΛΕΙΣΤΙΚΑ τις συσκευές που κάνουν ανακύκλωση του αέρα Το φίλτρο αυτό κατακρατεί τις οσμές και πρέπει να αντικαθίσταται τουλάχιστον μια φορά το χρόνο, ανάλογα με την χρήση του απορροφητήρα .

### **IV. Αντικατάσταση του λαμπτήρα φωτισμού.**

Ξεβιδώστε τις βίδες από το τζάμι και αφαιρέστε το.Εντοπίστε τον λαμπτήρα που πρέπει να αντικατασταθεί. Στην εικόνα που ακολουθεί μπορείτε να δείτε πως είναι τοποθετημένος



Αφαιρέστε την σύνδεση με την παροχή και βγάλτε την βάση του λαμπτήρα από τον απορροφητήρα. Σημαντικό: Για να αντικαταστήσετε τον καμμένο λαμπτήρα πρέπει να αφαιρέσετε όλο το ηλεκτρικό κύκλωμα και την υποδοχή

των λαμπτήρων (LED light: MAX 1.5W)

Τοποθετείστε τους νέους λαμπτήρες,την υποδοχή και το κύκλωμα επανσυνδέστε το κύκλωμα .

Τοποθετείστε το κρύσταλλο και τις βίδες .βεβαιωθείτε ότι έχετε βιδώσει τις βίδες σωστά.

## **ΕΠΙΛΥΣΗ ΠΡΟΒΛΗΜΑΤΩΝ**

<b>Πρόβλημα</b>	<b>Αιτία</b>	<b>Λύση</b>
Το φως ανάβει αλλά δεν λειτουργεί ο ανεμιστήρας	Ο ανεμιστήρας έχει μπλοκάρει	Διακόψτε την λειτουργία της συσκευής και απευθυνθείτε στο κέντρο τεχνικής υποστήριξης.
	Βλάβη μοτέρ	
Δεν ανάβει το φως και δεν λειτουργεί ο ανεμιστήρας	Καμένος λαμπτήρας αλογόνου.	Αντικατάσταση του λαμπτήρα
	Αποσυνδεδεμένη συσκευή	Συνδέστε την πρίζα στην παροχή
Έντονοι τριγμοί	Χαλασμένος ο ανεμιστήρας	Διακόψτε την λειτουργία της συσκευής και απευθυνθείτε στο κέντρο τεχνικής υποστήριξης
	Το μοτέρ δεν έχει τοποθετηθεί σωστά.	Διακόψτε την λειτουργία της συσκευής και απευθυνθείτε στο κέντρο τεχνικής υποστήριξης
	Ο απορροφητήρας δεν έχει στερεωθεί καλά στην βάση στήριξης	Αποσυνδέστε τη συσκευή και βεβαιωθείτε ότι οι βάσεις στήριξης είναι σωστά τοποθετημένες.
Δεν απορροφά ικανοποιητικά	Ο απορροφητήρας απέχει πολύ από την επιφάνεια της εστίας.	Ο απορροφητήρας πρέπει να απέχει από την επιφάνεια της εστίας 65-75 cm

### **ΠΙΣΤΟΠΟΙΗΤΙΚΟ ΕΓΓΥΗΣΗΣ**

Η συσκευή συνοδεύεται από ένα πιστοποιητικό επί του οποίου αναγράφονται οι όροι και οι προϋποθέσεις ισχύος της εγγύησης . Η χρονική διάρκεια της εγγύησης είναι 24 μήνες από την ημερομηνία αγοράς της συσκευής, όπως αυτή προκύπτει από το τιμολόγιο αγοράς ή άλλο επίσημο παραστατικό .

Το πιστοποιητικό εγγύησης πρέπει να είναι σωστά συμπληρωμένο και να επιδεικνύεται στο τεχνικό προκειμένου να πιστοποιήσει ότι η επέμβαση γίνεται σε καθεστώς εγγύησης.

## ΤΡΟΠΟΣ ΕΠΕΚΤΑΣΗΣ ΤΗΣ ΕΓΓΥΗΣΗΣ έως 5 Χρόνια

Εάν επιθυμείτε να επεκτείνετε την διάρκεια εγγύησης της συσκευής σας

Για περισσότερες πληροφορίες καλέστε το 210 6845750  
εσωτερικό 2

**ΑΠΟΚΑΤΑΣΤΑΣΗ ΒΛΑΒΗΣ ή ΚΑΚΗΣ ΛΕΙΤΟΥΡΓΙΑΣ**



Τα κέντρα τεχνικής υποστήριξης Gias Service είναι τα μόνα αρμόδια για την αποκατάσταση τυχόν βλάβης ή κακής λειτουργίας . Καλέστε το 80111505050 (αστική χρέωση για όλη την Ελλάδα) προκειμένου να συνδεθείτε με το πλησιέστερο κέντρο τεχνικής υποστήριξης. Στον δικτυακό τόπο [www.candy.gr](http://www.candy.gr) μπορείτε να αναζητήσετε το πλησιέστερο στην περιοχή σας κέντρο τεχνικής υποστήριξης.

### ΑΡΙΘΜΟΣ ΜΗΤΡΩΟΥ ΠΑΡΑΓΩΓΗΣ

Σε κάθε επικοινωνία με το κέντρο τεχνικής υποστήριξης είναι σημαντικό να αναφερθείτε στον αριθμό μητρώου και στα στοιχεία παραγωγής της συσκευής που αναγράφονται τόσο στο πιστοποιητικό εγγύησης όσο και στην ετικέτα του προϊόντος. Με αυτό το τρόπο θα βοηθήσετε στην ταχύτερη και πιο αποτελεσματική επέμβαση του τεχνικού

### ΠΡΟΣΤΑΣΙΑ ΤΟΥ ΠΕΡΙΒΑΛΛΟΝΤΟΣ

Αυτή η συσκευή πληροί την υπάριθμ. 2012/19/EU Ευρωπαϊκή Οδηγία για τα ηλεκτρονικά απόβλητα. Βεβαιωθείτε ότι η απόσυρση της συσκευής θα γίνει με τον προσηκόντα τρόπο, έτσι συμβάλετε ενεργά στην προστασία του περιβάλλοντος και την εξασφάλιση συνθηκών υγιεινής . Το σύμβολο αυτό υποδηλώνει ότι η συσκευή δεν μπορεί να χαρακτηριστεί ως κοινό απόρριμμα.. Για την ορθή απόσυρση της συσκευής απευθυνθείτε στο κέντρο ανακύκλωσης του Δήμου της περιοχής σας, στην διεύθυνση καθαριότητας ή στο κατάστημα που αγοράσατε την συσκευή.